

KIOXIA  
4Gb 3.3V  
Serial Interface NAND  
Technical Data Sheet

Rev. 2.00  
2019 – 10 – 01

KIOXIA Corporation

## CONTENTS

<b>1. Introduction</b> .....	<b>5</b>
1.1. General Description .....	5
1.2. Definitions and Abbreviations .....	5
1.3. Features .....	6
<b>2. Memory Organization</b> .....	<b>7</b>
2.1. Pin Descriptions .....	7
2.2. Pin Assignment (Top View) .....	7
2.3. Block Diagram .....	8
2.4. Cell Layout .....	8
2.5. Addressing .....	9
2.6. Valid Blocks .....	9
<b>3. Physical Interface</b> .....	<b>10</b>
3.1. Absolute Maximum Rating .....	10
3.2. Capacitance .....	10
3.3. DC Operating Conditions .....	10
3.4. Signal Timing .....	11
3.5. AC Characteristics .....	13
3.6. DC Operating Characteristics .....	13
3.7. Programming, Reading and Erasing Characteristics .....	14
3.8. Power ON/OFF Sequence .....	14
3.9. AC Test Condition .....	14
<b>4. Command Description and Device Operation</b> .....	<b>15</b>
4.1. Command Set .....	15
4.2. Page Read Operation .....	16
4.2.1. Read Cell Array (13h) .....	16
4.2.2. Read Buffer (03h or 0Bh) .....	17
4.2.3. Read Buffer x2 (3Bh) .....	18
4.2.4. Read Buffer x4 (6Bh) .....	19
4.3. Page Read Operation - High Speed Mode .....	19
4.4. Page Program Operation .....	20
4.4.1. Program Load x1 (02h) .....	20
4.4.2. Program Load x4 (32h) .....	21
4.4.3. Program Execute (10h) .....	22
4.4.4. Program Load Random Data x1 (84h) .....	23
4.4.5. Program Load Random Data x4 (34h or C4h) .....	24
4.5. Internal Data Move Operation .....	25
4.6. Block Erase (D8h) .....	26
4.7. Reset (FFh or FEh) .....	27
4.8. Write Enable (06h) / Write Disable (04h) .....	28
4.9. Set Feature (1Fh) / Get Feature (0Fh) .....	29
4.9.1. Set Feature (1Fh) .....	32
4.9.2. Get Feature (0Fh) .....	32
4.10. Block Lock Operation .....	33
4.11. Block Protection Operation (One Time Program) .....	33
4.11.1. Protect Execute (2Ah) .....	34
4.12. Parameter Page Read Operation .....	35
4.13. Read ID (9Fh) .....	36
4.14. Unique ID Read Operation .....	37
4.15. Internal ECC .....	38
4.15.1. ECC Switch .....	38
4.15.2. ECC Status .....	38
4.15.3. ECC Bit Flip Count Detection .....	39
4.15.4. ECC Bit Flip Count Report .....	40

---

4.15.5.ECC Maximum Bit Flip Count Report .....	41
<b>5. Package Information.....</b>	<b>42</b>
5.1. WSON8 (P-WSON8-0608-1.27-003).....	42
<b>6. Application Notes .....</b>	<b>43</b>
6.1. Prohibition of Unspecified Commands.....	43
6.2. Restriction of Commands while in the Busy State .....	43
6.3. Addressing for Page Program Operation.....	43
6.4. Several Programming Cycles on the Same Page (Partial Page Program) .....	43
6.5. Power Off Timing.....	44
6.6. Invalid Blocks (Bad Blocks) .....	44
6.7. Failure Phenomena .....	45
6.8. Reflow temperature profile .....	45
6.9. Reliability Guidance.....	46
6.10 NAND Management .....	47
<b>7. Revision History.....</b>	<b>48</b>
<b>RESTRICTIONS ON PRODUCT USE .....</b>	<b>49</b>

**LIST of FIGURES**

Figure 1. WSON8 Pin Assignment .....	7
Figure 2. Block Diagram .....	8
Figure 3. Cell Layout .....	8
Figure 4. Addressing.....	9
Figure 5. SPI Timing.....	11
Figure 6. Serial Input Timing.....	11
Figure 7. Serial Output Timing.....	11
Figure 8. Hold Timing .....	12
Figure 9. WP Timing (Example).....	12
Figure 10. Power ON/OFF Timing .....	14
Figure 11. Page Read from Cell Array to Buffer.....	16
Figure 12. Page Read from Buffer Timing .....	17
Figure 13. Page Read from Buffer x2 Timing .....	18
Figure 14. Page Read from Buffer x4 Timing .....	19
Figure 15. Program Load x1 .....	20
Figure 16. Program Load x4 .....	21
Figure 17. Program Execute Timing .....	22
Figure 18. Program Load Random Data x1 Timing .....	23
Figure 19. Program Load Random Data x4 Timing .....	24
Figure 20. Block Erase Timing.....	26
Figure 21. Reset Timing .....	27
Figure 22. Write Enable Timing .....	28
Figure 23. Write Disable Timing.....	28
Figure 24. Set Feature Timing .....	32
Figure 25. Get Feature Timing.....	32
Figure 26. Protect Execute Timing .....	34
Figure 27. Read ID Timing.....	36

**LIST of TABLES**

Table 1 Pin Descriptions .....	7
Table 2 Valid Blocks .....	9
Table 3 Absolute Maximum Rating.....	10
Table 4 Capacitance ( $T_{OPR} = 25^{\circ}\text{C}$ , $f = 1\text{MHz}$ ) .....	10
Table 5 DC Operating Condition .....	10
Table 6 AC Characteristics ( $T_{OPR} = -40$ to $85^{\circ}\text{C}$ , $V_{CC} = 2.7$ to $3.6\text{V}$ ).....	13
Table 7 DC & Operating Characteristics ( $T_{OPR} = -40$ to $85^{\circ}\text{C}$ , $V_{CC} = 2.7$ to $3.6\text{V}$ ) .....	13
Table 8 Programming, Reading and Erasing Characteristics ( $T_{OPR} = -40$ to $85^{\circ}\text{C}$ , $V_{CC} = 2.7$ to $3.6\text{V}$ ).....	14
Table 9 Power on Timing.....	14
Table 10 AC Test Condition.....	14
Table 11 Command Set.....	15
Table 12 Feature Table .....	29
Table 13 Feature Table - A0h Address Description .....	30
Table 14 Feature Table - B0h Address Description .....	30
Table 15 Feature Table - C0h Address Description .....	31
Table 16 Block Lock Setting.....	33
Table 17 Block Protection Setting .....	33
Table 18 Block Number for Block Protection.....	33
Table 19 Parameter Page .....	35
Table 20 ID Table .....	36
Table 21 Organization ID Table .....	36
Table 22 Page Assignment .....	38
Table 23 Definition of 528 bytes Data Pair .....	38
Table 24 Bit Flip Count Detection Setting (BFD) .....	39
Table 25 Bit Flip Count Detection Status (BFS) (Feature Table - 20h Address Description) .....	39
Table 26 Bit Flip Count Report for Sector 0 (BFR) .....	40
Table 27 Sector Definition (BFR) .....	40
Table 28 Maximum Bit Flip Count (MBF) .....	41
Table 29 Maximum Bit Flip Count Sector (MFS) .....	41

## 1. Introduction

### 1.1. General Description

The TC58CVG2S0HRAIJ is a Serial Interface NAND Flash memory for embedded applications which supports the SPI interface. The TC58CVG2S0HRAIJ is organized as (4096 + 128) bytes × 64 pages × 2048 blocks. The device has a 4224 byte data buffer which allows program and read data to be transferred between the buffer and the memory cell array in 4224-byte increments. The Erase operation is implemented in a single block unit (256 Kbytes + 8 Kbytes: 4224 bytes × 64 pages). The device has the high speed mode for sequential Page Read operation. When high speed mode is enabled, the average of  $t_R$  is shortened.

The TC58CVG2S0HRAIJ has ECC logic on the chip and 8bit read errors for each (512 bytes + 16 bytes) can be corrected. The details of the internal ECC function is shown in 4.15. Internal ECC.

### 1.2. Definitions and Abbreviations

#### SPI

Serial Peripheral Interface

#### Address

The address is comprised of a column address (CA) with 13bits and a row address (RA) with 17bits. The row address identifies the page and block to be accessed. The column address identifies the byte within a page to access.

#### Column

The byte location within the page

#### Row

Refer to the block and page to be accessed

#### Sector

The (512 bytes+16 bytes) unit in a page

#### Page

The smallest addressable unit for the Read and the Program operations

#### Block

Consists of multiple pages and is the smallest addressable unit for the Erase operation.

#### Data Buffer

Buffer used to transfer data to and from the cell array

#### Cell Array

Memory cells of NAND Flash

#### Device

The packaged NAND unit

#### ECC

Error Correction Code

### 1.3. Features

- **Organization**

- Organization (Internal ECC is enabled, default)

Memory Cell Array	4224 × 64 × 2048 × 8 bits
Data Buffer	4224 × 8 bits
Page Size	4224 bytes
Block Size	(256K + 8K) bytes

- Organization (Internal ECC is disabled)

Memory Cell Array	4352 × 64 × 2048 × 8 bits
Data Buffer	4352 × 8 bits
Page Size	4352 bytes
Block Size	(256K + 16K) bytes

- **ECC**

The device has ECC logic internally. When internal ECC is disabled, 8 bit ECC for each 512bytes is required.

- **Mode**

Page Read, Page Program, Block Erase, Internal Data Move, Reset, Write Enable, Write Disable, Block Lock, Get Feature, Set Feature, Block Protection, Parameter Page Read, Read ID, Unique ID Read

- **Power Supply**

V<sub>CC</sub> = 2.7 V to 3.6 V

- **Access Time**

Cell Array to Data Buffer	300	μs max
	115	μs typ.
Data Transfer rate	133	MHz max

- **Program/Erase Time**

Programming Time	450	μs/page typ.
Block Erasing Time	2.0	ms/block typ.

- **Operating Current**

Read Operation Current with HSE ON (Average)	27	mA max
Read Operation Current with HSE OFF (Average)	22	mA max
Program Operation Current (Average)	26	mA max
Erase Operation Current (Average)	28	mA max
Standby Current	210	μA max
	30	μA typ.

- **Reliability**

Refer to reliability note

- **Package**

WSON8 (P-WSON8-0608-1.27-003)      Weight: 0.12g typ.

- **Part Numbering Information**

TC58CVG2S0HRAIJ 4Gb, 3.3V, WSON8 Serial Interface NAND

## 2. Memory Organization

### 2.1. Pin Descriptions

Table 1 Pin Descriptions

Pin Name	Pin Function
$\overline{\text{CS}}$	Chip Select
SO/IO1	Serial Data Output / Serial Data I/O 1
$\overline{\text{WP}}/\text{IO2}$	Write Protect / Serial Data I/O 2
SI/IO0	Serial Data Input / Serial Data I/O 0
$\overline{\text{HOLD}}/\text{IO3}$	Hold Input / Serial Data I/O 3
SCK	Serial Clock Input
Vcc	Power Supply
Vss	Ground

**Note:** If the  $\overline{\text{WP}}$  pin is low and BRWD bit is set to 1, the overwriting for the BRWD (bit [7]) and the BL bits (bits [5:3]) in address A0h of the feature table shown in Table 12 is prohibited.

The users should keep the status of  $\overline{\text{WP}}$  signal while  $\overline{\text{CS}}$  pin is low.

The  $\overline{\text{HOLD}}$  pin and the  $\overline{\text{WP}}$  pin are pull up to V<sub>CC</sub> internally.

Hold function of  $\overline{\text{HOLD}}$  pin can be set either Enable or Disable in the feature table as shown in Table 12.

### 2.2. Pin Assignment (Top View)

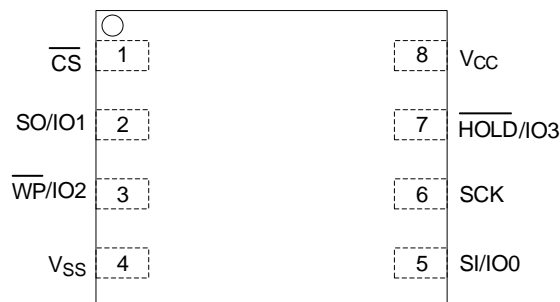


Figure 1. WSON8 Pin Assignment

2.3. Block Diagram

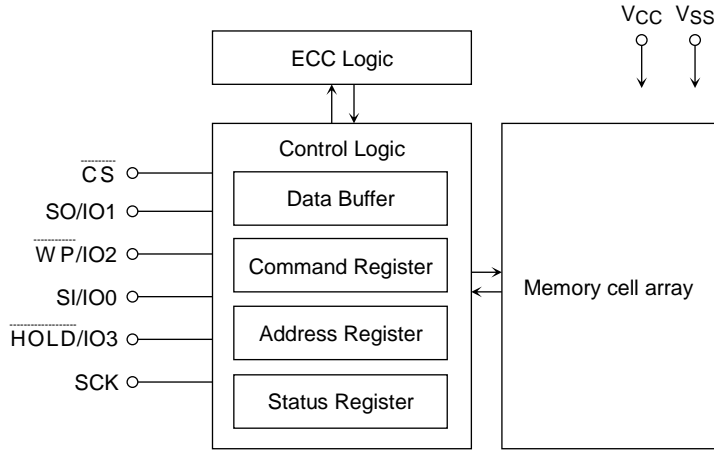


Figure 2. Block Diagram

2.4. Cell Layout

The Program operation works on page units while the Erase operation works on block units. When internal ECC is turned ON, a page consists of 4224 bytes in which 4096 bytes are used for main memory storage and 128 bytes are used for redundancy or for other uses. In the case that internal ECC is turned OFF, the redundancy area will be expanded to 256 bytes automatically.

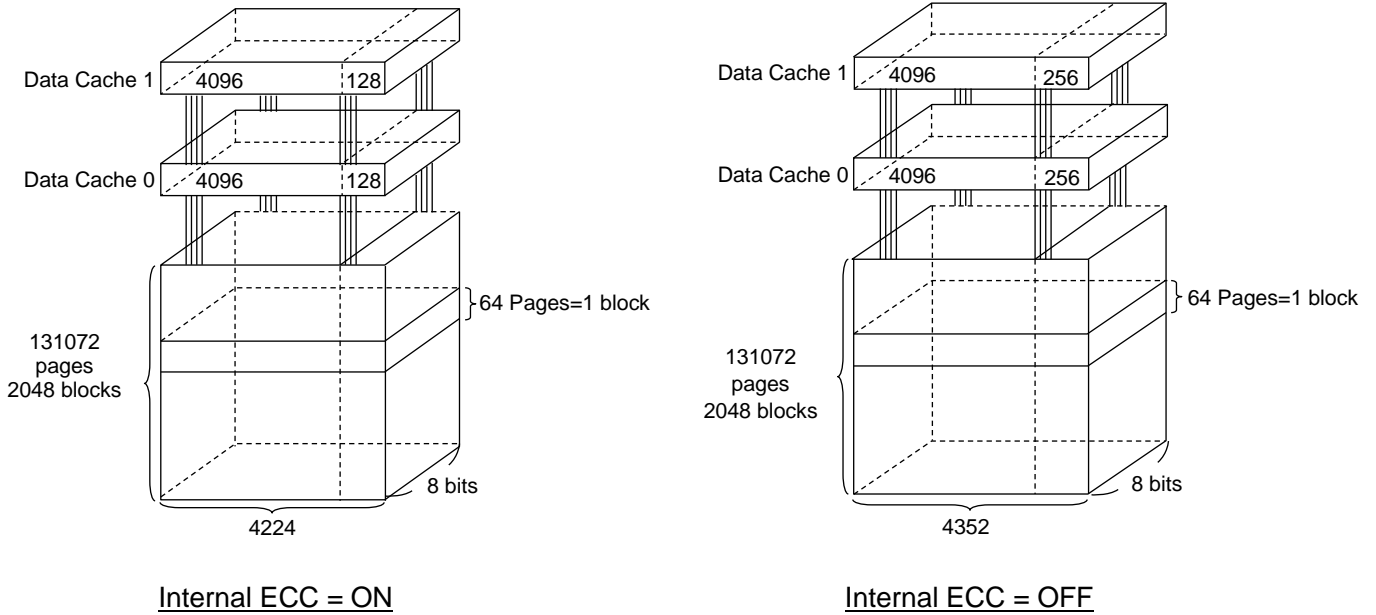


Figure 3. Cell Layout



## 2.5. Addressing

There are two address types used; the column address and the row address. The column address is used to access bytes within a page. The row address is used to address pages and blocks. There are some operations that may require only row addresses, such as Block Erase.

Row Address (RA): 17 bits

Block Address (2048 blocks/device) : 11 bits

Page Address (64 pages/block) : 6 bits

Column Address (CA): 13 bits

Column Address (4224 or 4352 bytes/page) : 13 bits

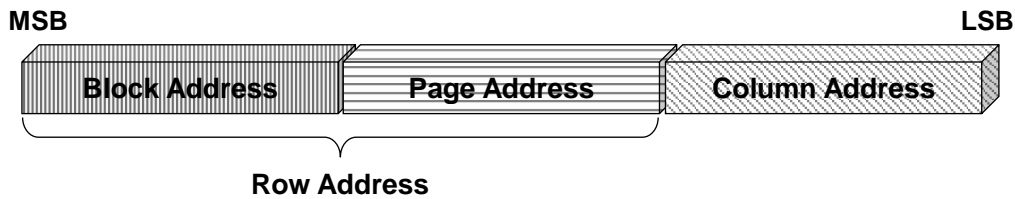


Figure 4. Addressing

## 2.6. Valid Blocks

Table 2 Valid Blocks

Symbol	Parameter	Min	Typ.	Max	Unit
N <sub>VB</sub>	Number of Valid (Good) Blocks	2008	-	2048	Block

**Note:** The device occasionally contains unusable blocks.

The first eight blocks (Block 0-7) are guaranteed to be a valid block at the time of shipment.

The specification for the minimum number of valid blocks is applicable over the lifetime.

### 3. Physical Interface

#### 3.1. Absolute Maximum Rating

Stresses greater than those listed in Table 3 may cause permanent damage to the device. This is a stress rating only.

Table 3 Absolute Maximum Rating

Symbol	Parameter	Value	Unit
V <sub>CC</sub>	Power Supply Voltage	-0.3 to 3.9	V
V <sub>IN</sub>	Input Voltage	-0.3 to V <sub>CC</sub> + 0.3 (≤ 3.9 V)	V
V <sub>I/O</sub>	Input /Output Voltage	-0.3 to V <sub>CC</sub> + 0.3 (≤ 3.9 V)	V
P <sub>D1</sub>	Power Dissipation 1	0.42	W
P <sub>D2</sub>	Power Dissipation 2 (WSON8 ePAD without solder)	0.27	W
T <sub>STG</sub>	Storage Temperature	-40 to 85	°C
T <sub>OPR</sub>	Operating Temperature	-40 to 85	°C

**Note:** Avoid locations where the device may be exposed to water (wet, rain, dew condensation, etc.)

#### 3.2. Capacitance

Table 4 Capacitance (T<sub>OPR</sub> = 25°C, f = 1MHz)

Symbol	Parameter	Condition	Min	Max	Unit
C <sub>IN</sub>	Input	V <sub>IN</sub> = 0 V	-	4	pF
C <sub>OUT</sub>	Output	V <sub>OUT</sub> = 0 V	-	4	pF

**Note:** This parameter is periodically sampled and is not tested for every device.

#### 3.3. DC Operating Conditions

Table 5 DC Operating Condition

Symbol	Parameter	Min	Typ.	Max	Unit
V <sub>CC</sub>	Power Supply Voltage	2.7	-	3.6	V
V <sub>IH</sub>	High Level Input Voltage	V <sub>CC</sub> × 0.8	-	V <sub>CC</sub> + 0.3	V
V <sub>IL</sub>	Low Level Input Voltage	-0.3	-	V <sub>CC</sub> × 0.2	V

### 3.4. Signal Timing

The device supports SPI mode 0 and mode 3. Input data is latched at the rising edge of SCK and data is output at the falling edge of SCK for mode 0 and 3. When **HOLD** goes Low, the communication is suspended in case that **HOLD\_D** bit is 0 (Hold function is enabled) in the feature table as shown in Table 12. The hold state begins at the falling edge of SCK. Hold function can be set either Enable or Disable by Set Feature command.

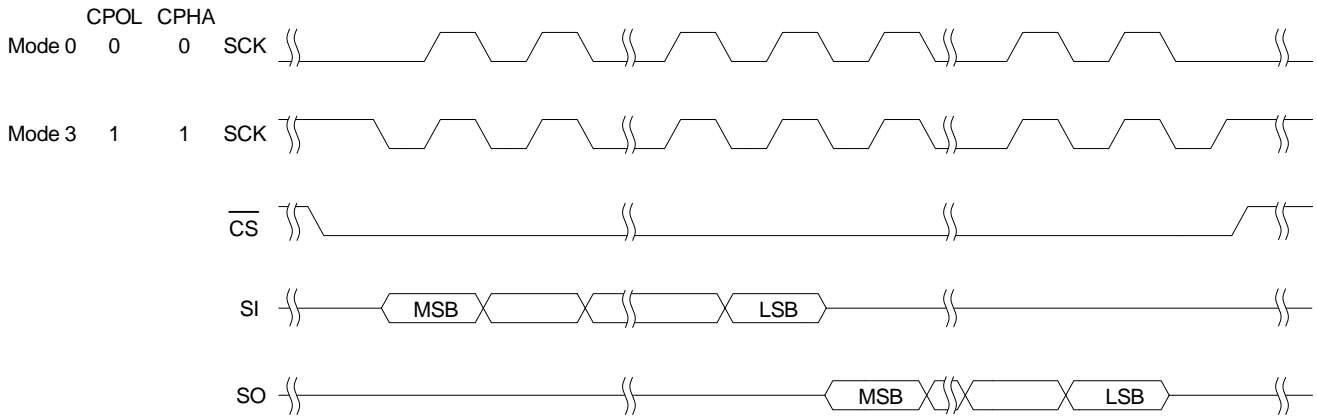


Figure 5. SPI Timing

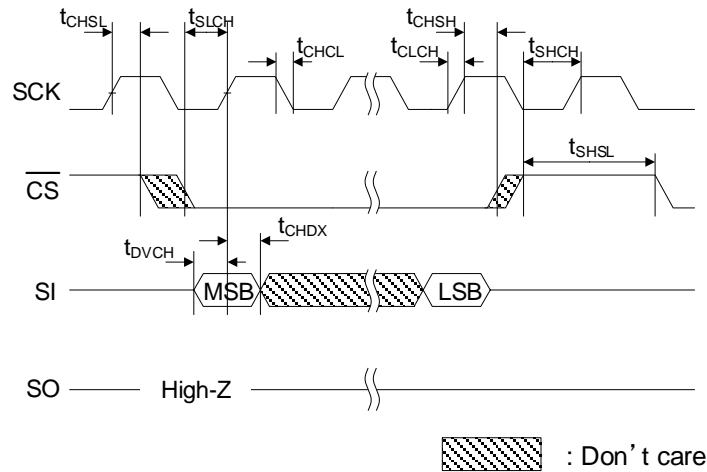


Figure 6. Serial Input Timing

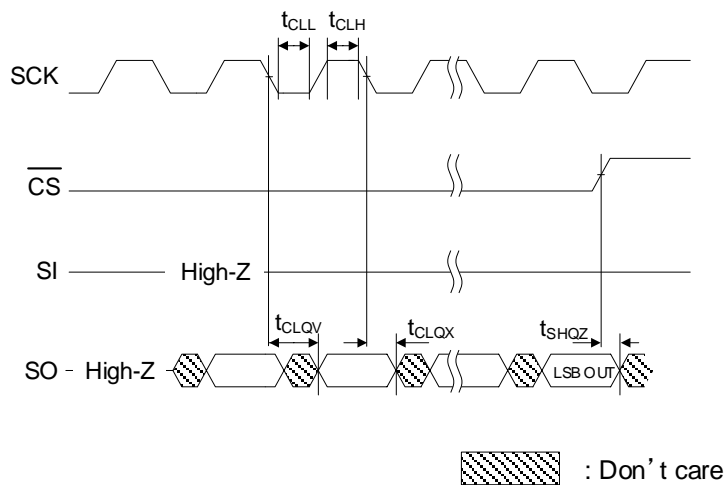


Figure 7. Serial Output Timing

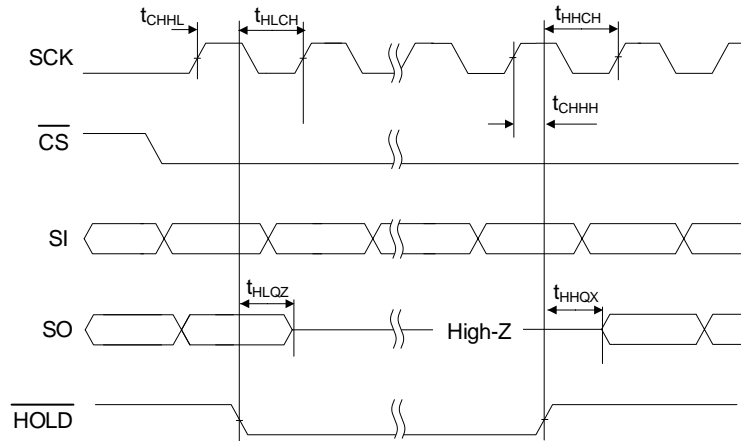


Figure 8. Hold Timing

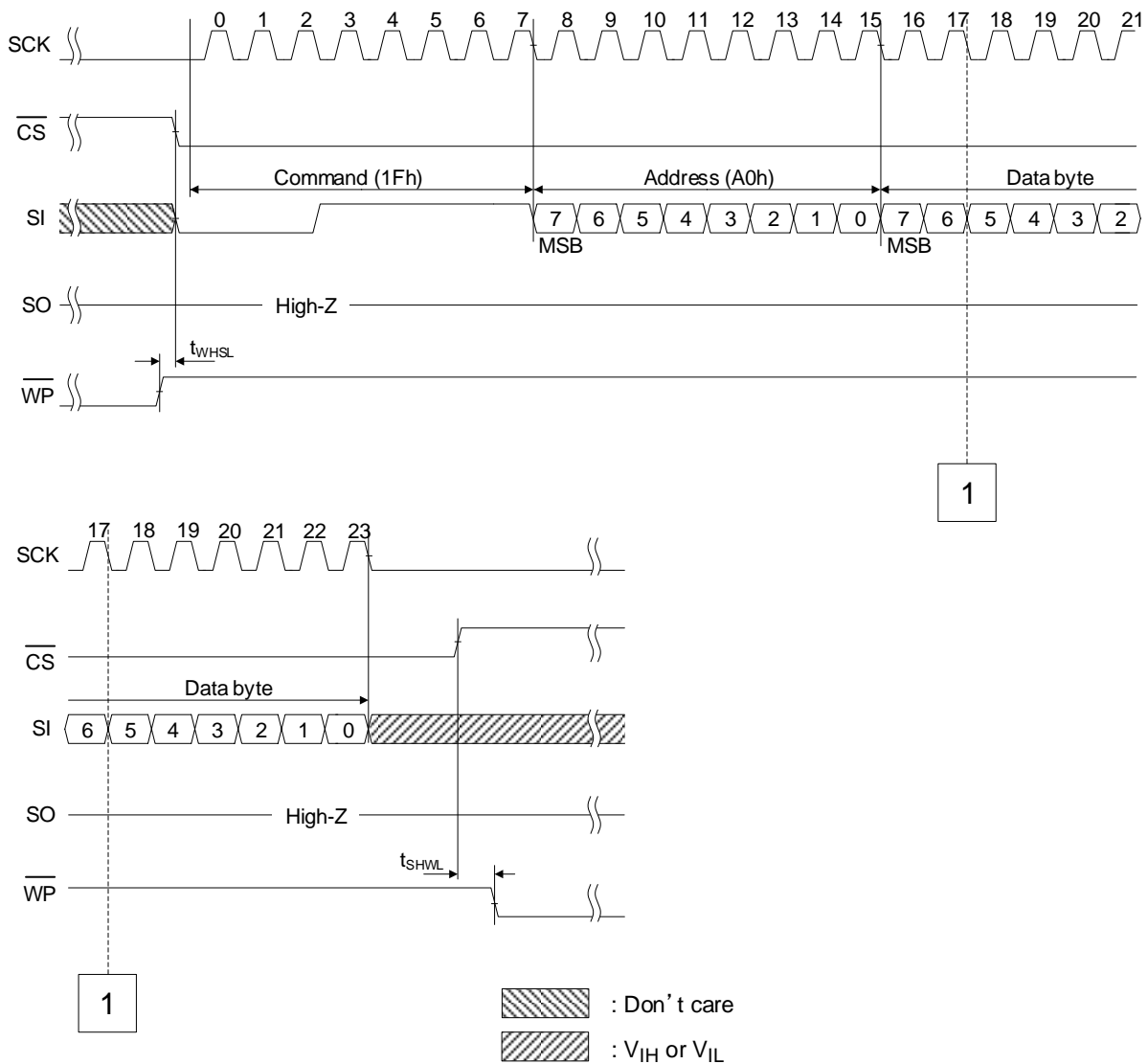


Figure 9. WP Timing (Example)

### 3.5. AC Characteristics

Table 6 AC Characteristics ( $T_{OPR} = -40$  to  $85^{\circ}\text{C}$ ,  $V_{CC} = 2.7$  to  $3.6\text{V}$ )

Symbol	Parameter	Min	Typ.	Max	Unit
$F_C$	Serial Clock Frequency for All Operations	-	-	133	MHz
$t_{CLH}$	Serial Clock High Time	3	-	-	ns
$t_{CLL}$	Serial Clock Low Time	3	-	-	ns
$t_{CLCH}$	Serial Clock Rise Time (Slew Rate)	0.1	-	-	V/ns
$t_{CHCL}$	Serial Clock Fall Time (Slew Rate)	0.1	-	-	V/ns
$t_{SLCH}$	CS Active Setup Time	2.5	-	-	ns
$t_{CHSH}$	CS Active Hold Time	2.5	-	-	ns
$t_{SHCH}$	CS Not Active Setup Time	2.5	-	-	ns
$t_{CHSL}$	CS Not Active Hold Time	2.5	-	-	ns
$t_{SHSL}$	CS High Time	100	-	-	ns
$t_{SHQZ}$	Output Disable Time	-	-	6	ns
$t_{CLQX}$	Output Hold Time	1.5 (CL=10pF) 2.0 (CL=30pF)	-	-	ns
$t_{DVCH}$	Data In Setup Time	2	-	-	ns
$t_{CHDX}$	Data In Hold Time	1.75	-	-	ns
$t_{HLCH}$	HOLD Low Setup Time (relative to Clock)	3.375	-	-	ns
$t_{HHCH}$	HOLD High Setup Time (relative to Clock)	3.375	-	-	ns
$t_{CHHL}$	HOLD High Hold Time (relative to Clock)	2.5	-	-	ns
$t_{CHHH}$	HOLD Low Hold Time (relative to Clock)	2.5	-	-	ns
$t_{HLQZ}$	HOLD Low to High-Z Output	-	-	6	ns
$t_{HHQX}$	HOLD High to Output	-	-	6	ns
$t_{CLQV}$	Clock Low to Output Valid	-	-	5.0 (CL=10pF) 6.0 (CL=30pF)	ns
$t_{WHSL}$	WP Setup Time Before CS Low	20	-	-	ns
$t_{SHWL}$	WP Hold Time After CS High	100	-	-	ns

### 3.6. DC Operating Characteristics

Table 7 DC & Operating Characteristics ( $T_{OPR} = -40$  to  $85^{\circ}\text{C}$ ,  $V_{CC} = 2.7$  to  $3.6\text{V}$ )

Symbol	Parameter	Condition	Min	Typ.	Max	Unit
$I_{IL}$	Input Leakage Current	$V_{IN} = 0\text{V to }V_{CC}$	-	-	$\pm 10$	$\mu\text{A}$
$I_{LO}$	Output Leakage Current	$V_{OUT} = 0\text{V to }V_{CC}$	-	-	$\pm 10$	$\mu\text{A}$
$I_{CCOA1}$	Read Operation Current (Average)	$F_C = 133\text{MHz}$ High Speed Mode = Enable Read Buffer Command: 03h or 0Bh (x1)	-	-	27	mA
$I_{CCOA2}$	Read Operation Current (Average)	$F_C = 133\text{MHz}$ High Speed Mode = Disable Read Buffer Command: 03h or 0Bh (x1)	-	-	22	mA
$I_{CCOA3}$	Program Operation Current (Average)	$F_C = 133\text{MHz}$ Program Load Command: 02h (x1)	-	-	26	mA
$I_{CCOA4}$	Erase Operation Current (Average)	$F_C = 133\text{MHz}$	-	-	28	mA
$I_{CCS}$	Standby Current	$CS = V_{CC} - 0.2\text{V}$ , $WP = V_{CC}$ , $HOLD = V_{CC}$	-	30	210	$\mu\text{A}$
$V_{OH}$	High Level Output Voltage	$I_{OH} = -0.1\text{mA}$	$V_{CC} - 0.2$	-	-	V
$V_{OL}$	Low Level Output Voltage	$I_{OL} = 0.1\text{mA}$	-	-	0.2	V

**Note:** Refer to the High Speed Mode in 4.3. Page Read Operation - High Speed Mode.

$I_{CCOA1}$  to  $I_{CCOA4}$  are the average current during the full operation sequence.

Typ. values reflect values obtained in specific test environments under typical test parameters. Actual results will vary based on the conditions and environment in which the part is used.

### 3.7. Programming, Reading and Erasing Characteristics

Table 8 Programming, Reading and Erasing Characteristics (T<sub>OPR</sub> = -40 to 85°C, V<sub>CC</sub> = 2.7 to 3.6V)

Symbol	Parameter	Min	Typ.	Max	Unit
t <sub>PROG</sub>	Programming Time (with ECC)	-	450	600	μs
N	Number of Partial Program Cycles in the Same Page	-	-	4	times
t <sub>BERASE</sub>	Block Erasing Time	-	2	7	ms
t <sub>R</sub>	Cell Array to the Buffer (with ECC) (High Speed Mode = Disable)	-	115	300	μs
t <sub>RHSA4</sub>	Average Read Time for Sequential Read (with ECC) (High Speed Mode = Enable, Read Buffer x4)	-	35	-	μs
t <sub>RST</sub>	Device Reset Time (Read)	-	-	50	μs
	Device Reset Time (Program)	-	-	50	μs
	Device Reset Time (Erase)	-	-	550	μs

**Note:** Refer to the data pair of ECC calculation in 4.15. Internal ECC.

Refer to the High Speed Mode in 4.3. Page Read Operation - High Speed Mode.

t<sub>R</sub> is the average busy time for Page Read operation of 64pages continuously in a block.

t<sub>RHSA4</sub> is the average busy time for sequential Page Read operation with all data output in each page of 64pages continuously in a block at 104MHz.

The busy time after Protect Execute command is shorter than t<sub>PROG</sub> (max).

Typ. values reflect values obtained in specific test environments under typical test parameters. Actual results will vary based on the conditions and environment in which the part is used.

### 3.8. Power ON/OFF Sequence

The timing sequence shown in the figure below is necessary for the power ON/OFF sequence.

The device internal initialization starts after the power supply reaches an appropriate level in the power on sequence. The users cannot issue any commands while t<sub>vSL</sub>. From the end of t<sub>vSL</sub> to the end of t<sub>vOP</sub>, Get Feature and Reset operation can be issued. OIP bit in the Feature Table indicates the busy state in this time period. All operations are available after t<sub>vOP</sub>.

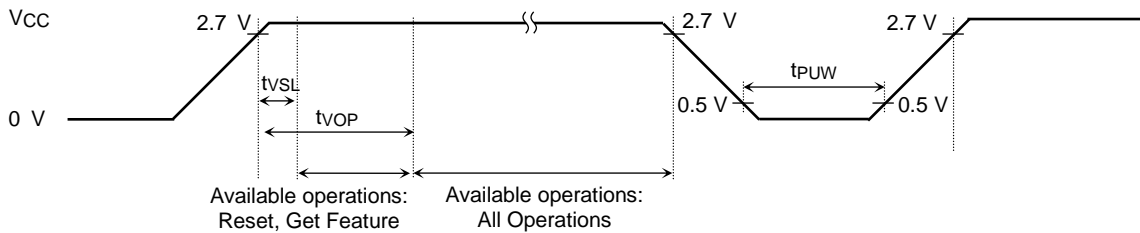


Figure 10. Power ON/OFF Timing

Table 9 Power on Timing

Symbol	Parameter	Min	Max	Unit
t <sub>vSL</sub>	V <sub>CC</sub> (min) to CS Low	-	100	μs
t <sub>vOP</sub>	V <sub>CC</sub> (min) to all operation	-	1.1	ms
t <sub>PUW</sub>	Waiting time for power on	1	-	ms
V <sub>CCSR</sub>	V <sub>CC</sub> Slew Rate	-	216	mV/μs

### 3.9. AC Test Condition

Table 10 AC Test Condition

Parameter	Condition
	V <sub>CC</sub> : 2.7 to 3.6V
Input level	V <sub>CC</sub> × 0.2 to V <sub>CC</sub> × 0.8
Input pulse rise and fall time	1.4 ns
Input comparison level	V <sub>CC</sub> / 2
Output data comparison level	V <sub>CC</sub> / 2
Output load	C <sub>L</sub> (30pF) + 1 TTL

## 4. Command Description and Device Operation

### 4.1. Command Set

Table 11 Command Set

Operation	Byte 1 (CMD)	Byte 2	Byte 3	Byte 4	Byte 5	Byte N
Read Cell Array	13h	Dummy + RA16 (Input)	RA15-RA8 (Input)	RA7-RA0 (Input)	-	-
Read Buffer	03h / 0Bh	Dummy + CA12-CA8 (Input)	CA7-CA0 (Input)	Dummy	D*-D* (Output)	D*-D* (Output)
Read Buffer x2	3Bh	Dummy + CA12-CA8 (Input)	CA7-CA0 (Input)	Dummy	D*-D* (Output)	D*-D* (Output)
Read Buffer x4	6Bh	Dummy + CA12-CA8 (Input)	CA7-CA0 (Input)	Dummy	D*-D* (Output)	D*-D* (Output)
Program Load x1	02h	Dummy + CA12-CA8 (Input)	CA7-CA0 (Input)	D*-D* (Input)	D*-D* (Input)	D*-D* (Input)
Program Load x4	32h	Dummy + CA12-CA8 (Input)	CA7-CA0 (Input)	D*-D* (Input)	D*-D* (Input)	D*-D* (Input)
Program Execute	10h	Dummy + RA16 (Input)	RA15-RA8 (Input)	RA7-RA0 (Input)	-	-
Protect Execute	2Ah	Dummy + RA16 (Input)	RA15-RA8 (Input)	RA7-RA0 (Input)	-	-
Program Load Random Data x1	84h	Dummy + CA12-CA8 (Input)	CA7-CA0 (Input)	D*-D* (Input)	D*-D* (Input)	D*-D* (Input)
Program Load Random Data x4	34h / C4h	Dummy + CA12-CA8 (Input)	CA7-CA0 (Input)	D*-D* (Input)	D*-D* (Input)	D*-D* (Input)
Block Erase	D8h	Dummy + RA16 (Input)	RA15-RA8 (Input)	RA7-RA0 (Input)	-	-
Reset	FFh / FEh	-	-	-	-	-
Write Enable	06h	-	-	-	-	-
Write Disable	04h	-	-	-	-	-
Get Feature	0Fh	A7-A0 (Input)	D7-D0 (Output)	D7-D0 (Output)	D7-D0 (Output)	D7-D0 (Output)
Set Feature	1Fh	A7-A0 (Input)	D7-D0 (Input)	-	-	-
Read ID	9Fh	Dummy	ID Byte 0 (Output)	ID Byte 1 (Output)	ID Byte 2 (Output)	Reserved (Output)

**Note:** 1)  $\overline{CS}$  must be kept Low during the each operation in Table 11.

$\overline{CS}$  must be driven High after the each operation is completed and be kept High more than  $t_{SHSL}$ .

2) If HOLD\_D bit is 0 (Hold function is enabled), Host should verify that  $\overline{HOLD}$  pin is High during each operation except for intentional usage of Hold function.

3) Input of a command other than those specified in Table 11 is prohibited. Stored data may be corrupted if an unknown command is entered during the command cycle.

4) During the operation in progress, do not input any command except 0Fh, FFh and FEh.

5) The users can issue the Protect Execute (2Ah) only one time for each block.

6) Once the Get Feature command is issued, the status and setting information are output continuously.

### 4.2. Page Read Operation

The Read Cell Array and Read Buffer commands are required to read the data in a page. The Read Cell Array command reads the page data from the NAND cell array to the data buffer. The Read Buffer command reads the data from the data buffer. To complete the operation, the command sequence must be executed as follows.

1. Read Cell Array (13h) : To read the data from the cell array to the internal data buffer
2. Get Feature (0Fh) : To read the status (OIP, ECCS0 and ECCS1 bits) of the device
3. Read Buffer (03h or 0Bh) : To output the data from the internal data buffer  
 or Read Buffer x2 (3Bh)  
 or Read Buffer x4 (6Bh)

The Read Buffer, Read Buffer x2, Read Buffer x4 and Get Feature commands are repeatable commands. For the Read Buffer x2 and Read Buffer x4 read modes are available as shown in Figure 13 and Figure 14. The users are able to check the detailed bit flip count using ECC Bit Flip Count Detection and other functions using Get Feature command.

#### 4.2.1. Read Cell Array (13h)

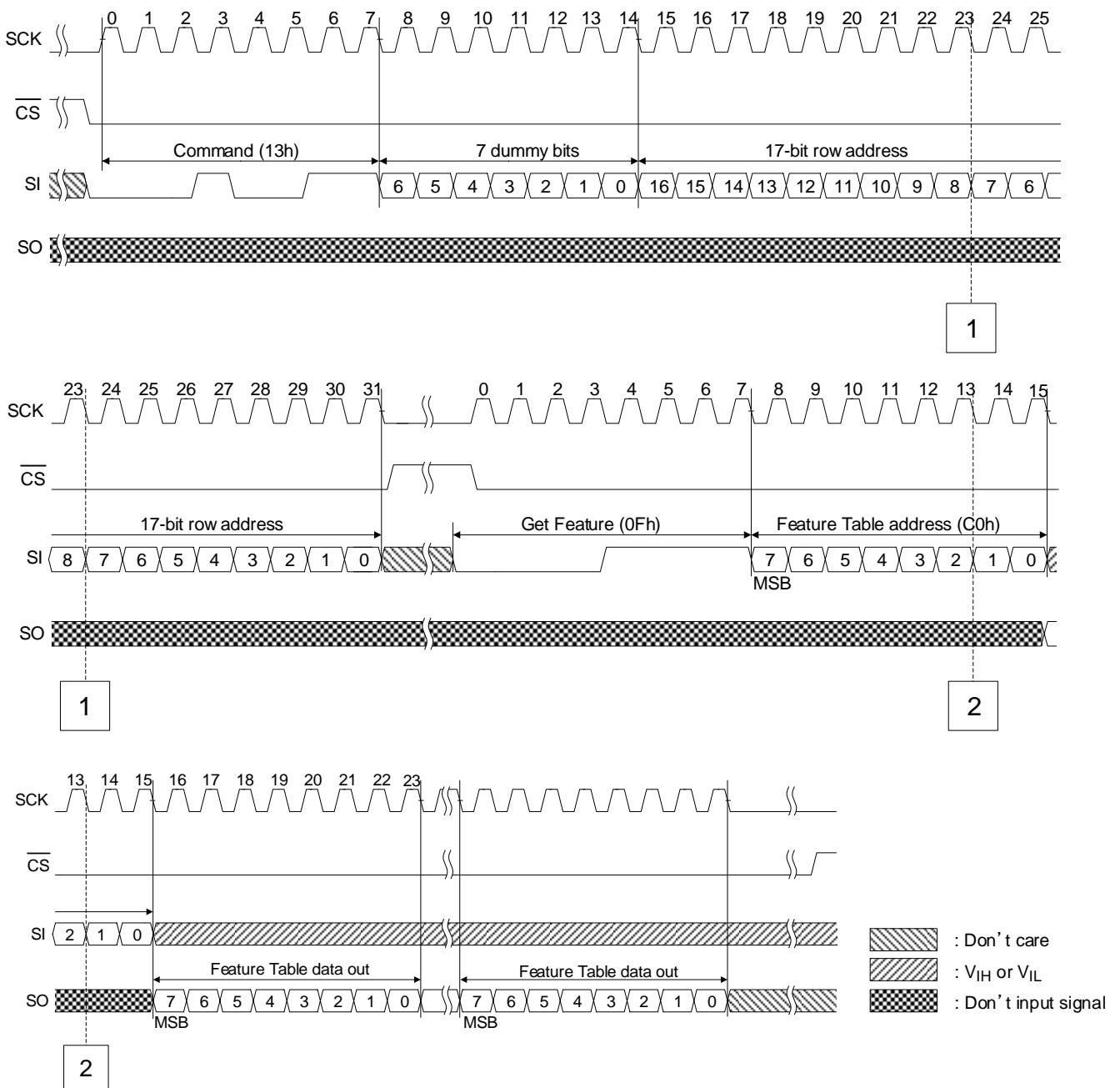
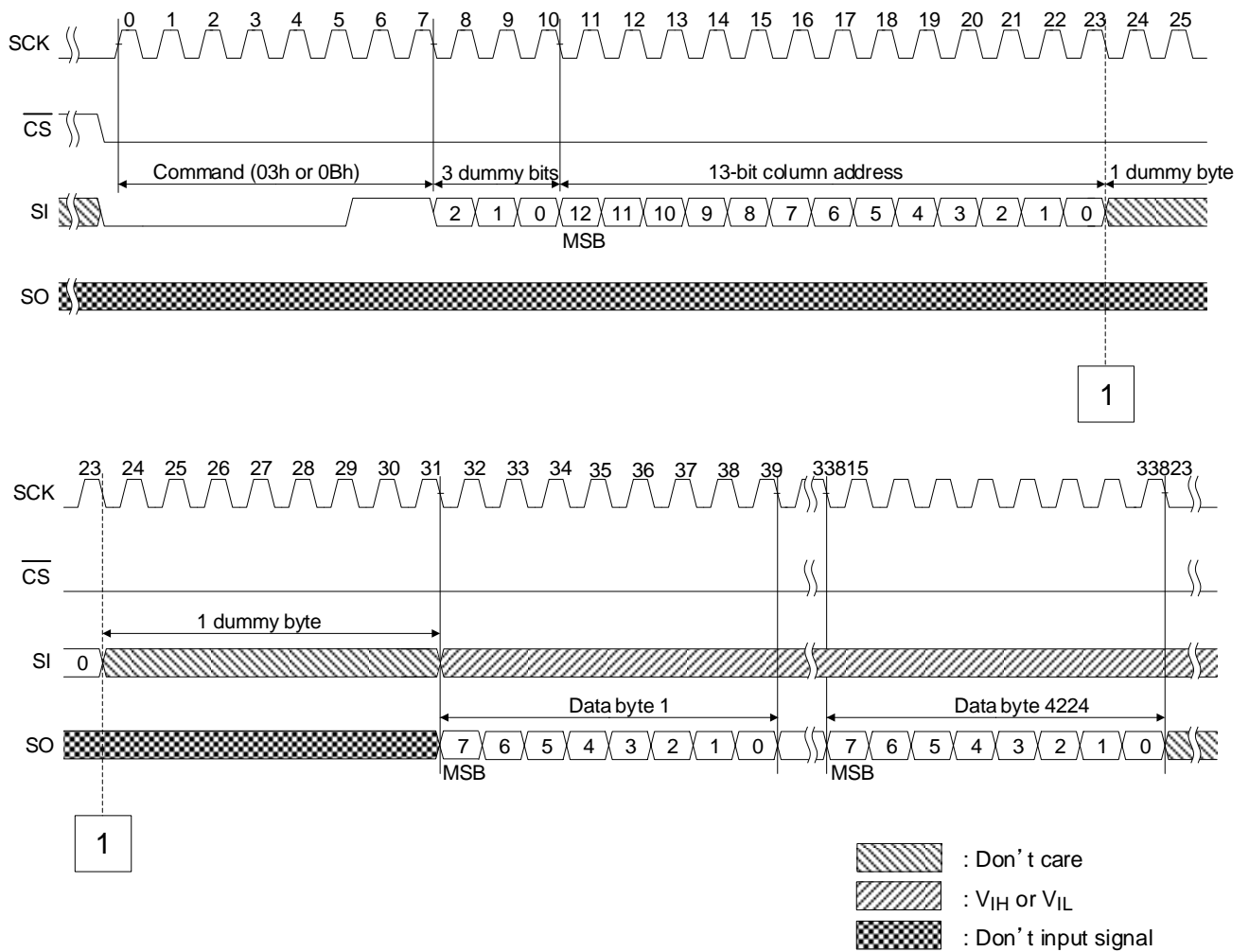


Figure 11. Page Read from Cell Array to Buffer



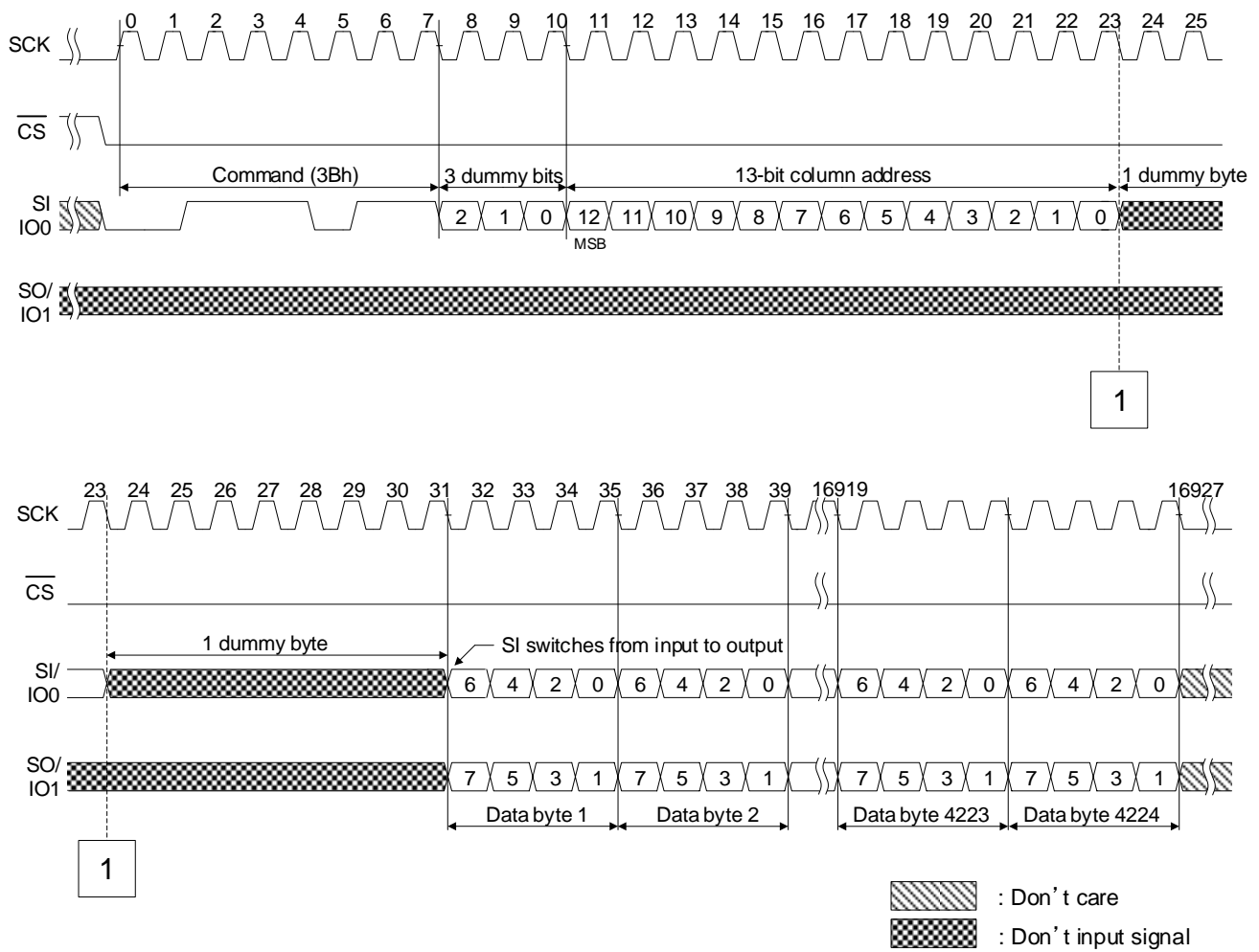
4.2.2. Read Buffer (03h or 0Bh)



**Note:** When internal ECC is turned OFF, the maximum output data size is 4352 Bytes.

Figure 12. Page Read from Buffer Timing

4.2.3. Read Buffer x2 (3Bh)



**Note:** When internal ECC is turned OFF, the maximum output data size is 4352 Bytes.

Figure 13. Page Read from Buffer x2 Timing

4.2.4. Read Buffer x4 (6Bh)

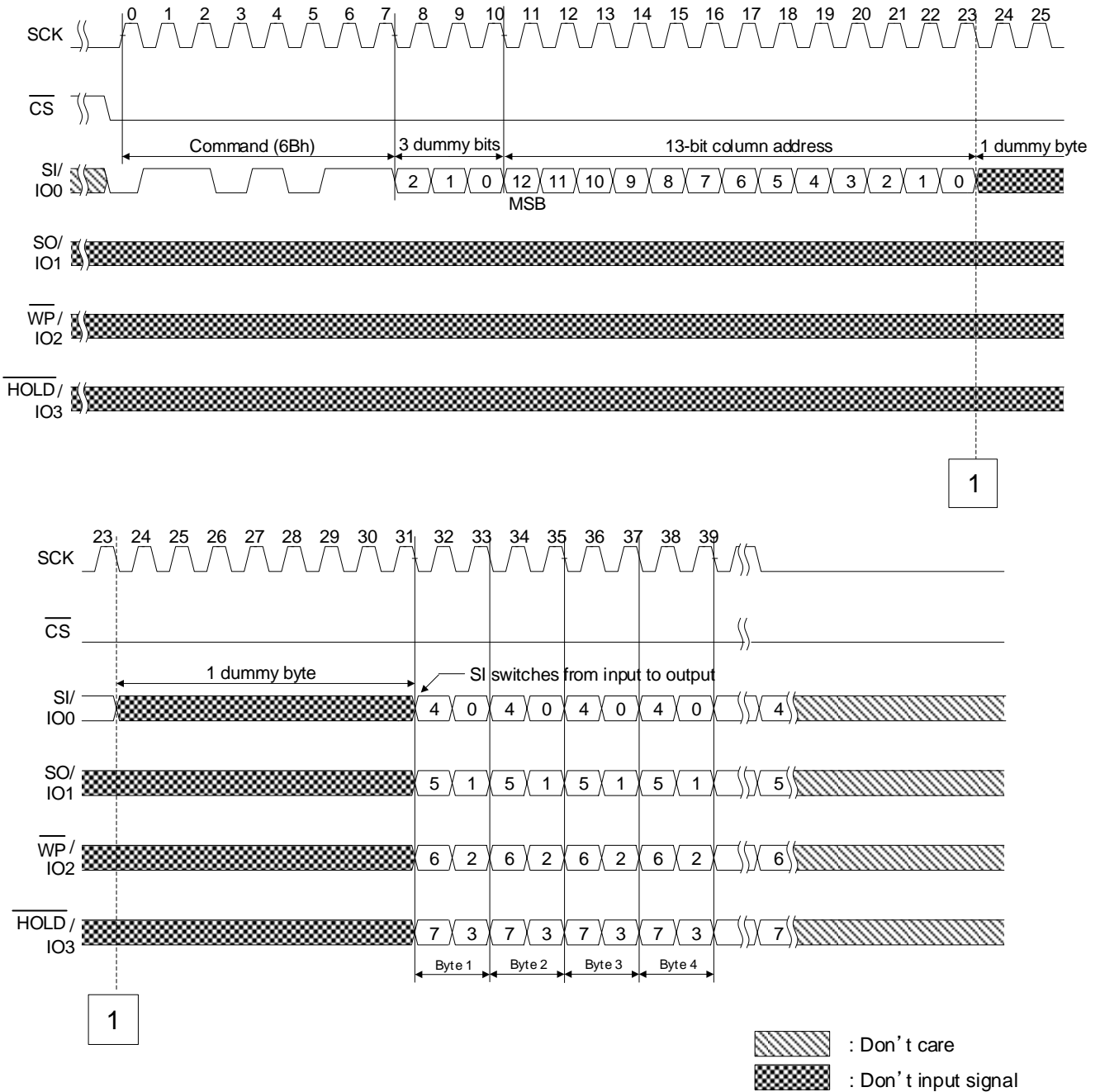


Figure 14. Page Read from Buffer x4 Timing

4.3. Page Read Operation - High Speed Mode

The device has a high speed mode for sequential read operation. When high speed mode is enabled, the average  $t_r$  is shortened. The command sequence is the same as the Page Read operation. The users set or clear the HSE bit which enables or disables the high speed mode in the feature table as shown in Table 12. High speed mode is enabled (HSE bit is set to 1) in the default condition. When the users switching the HSE bit, the users have to issue the Set Feature command just before the Read Cell Array (13h) command. When the users use the random page read, the recommended setting of the HSE bit is 0 (disable) since  $t_r$  becomes longer.

### 4.4. Page Program Operation

The Program Load and Program Execute commands are required to program data to a page. The Program Load command transfers data to the buffer. The unit of data transfer is a byte. The Program Execute command programs data from the buffer to the cell array. To complete the operation, the command sequence must be executed as follows.

1. Write Enable (06h) : To enable the Program Operation
2. Program Load x1 (02h) : To transfer data to the internal data buffer  
or Program Load x4 (32h)
3. Program Execute (10h) : To program data from the buffer to the cell array
4. Get Feature (0Fh) : To read the status (OIP and PRG\_F bits) of the device

The internal data buffer is cleared by the Program Load command. In case of Program Load x4, HOLD\_D bit must be set 1 (Hold function is disabled) by Set Feature command in advance. The Page Program Operation is also performed in case that Write Enable command is issued just before Program Execute command.

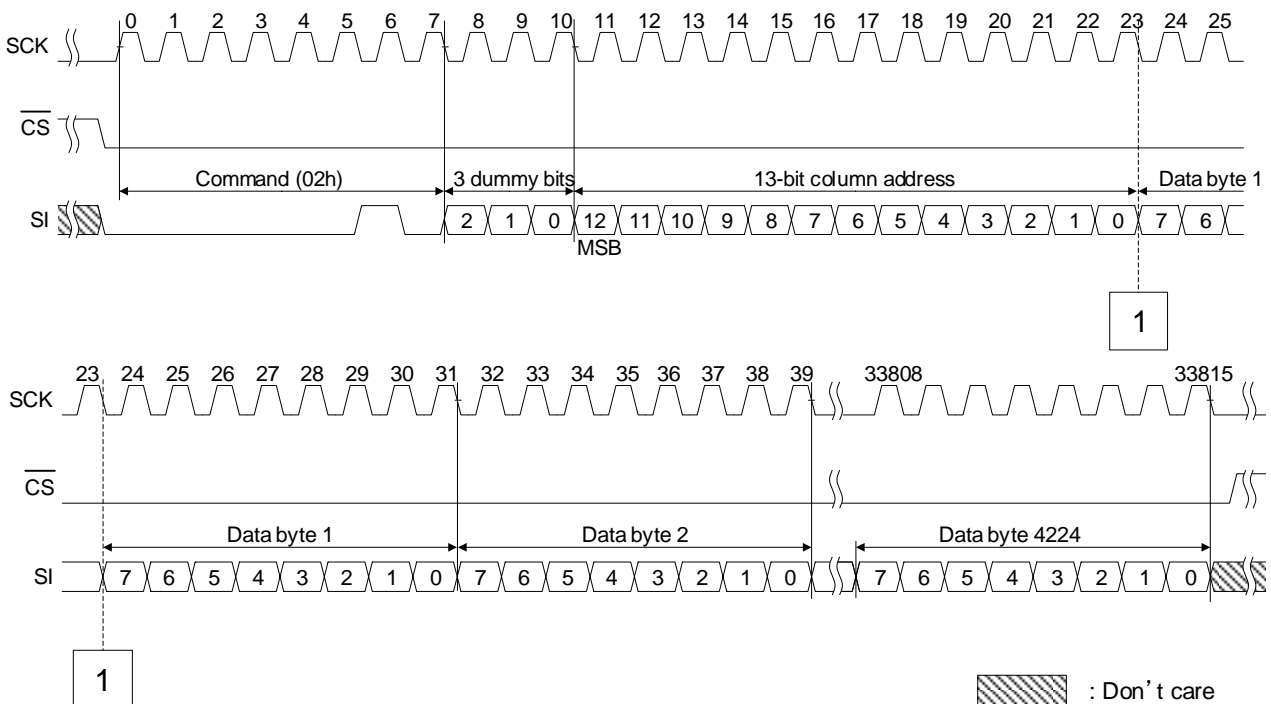
The Program Load Random Data x1 (84h) and Program Load Random Data x4 (34h or C4h) commands are also available to change the column address during the Program Load. To complete the operation, the command sequence must be executed as follows.

1. Write Enable (06h) : To enable the Program operation
2. Program Load x1 (02h) : To transfer data to the internal data buffer  
or Program Load x4 (32h)
3. Program Load Random Data x1 (84h) : To transfer data to the internal data buffer  
or Program Load Random Data x4 (34h or C4h)
4. Program Execute (10h) : To program data from the buffer to the cell array
5. Get Feature (0Fh) : To read the status (OIP and PRG\_F bits) of the device

Program Load Random Data and Get Feature commands are repeatable command.

The internal data buffer is not cleared by the Program Load Random Data command. In case of Program Load x4 and Program Load Random Data x4, HOLD\_D bit must be set 1 (HOLD function is disabled) by Set Feature command in advance. The Page Program Operation is also performed in case that Write Enable command is issued just before Program Execute command.

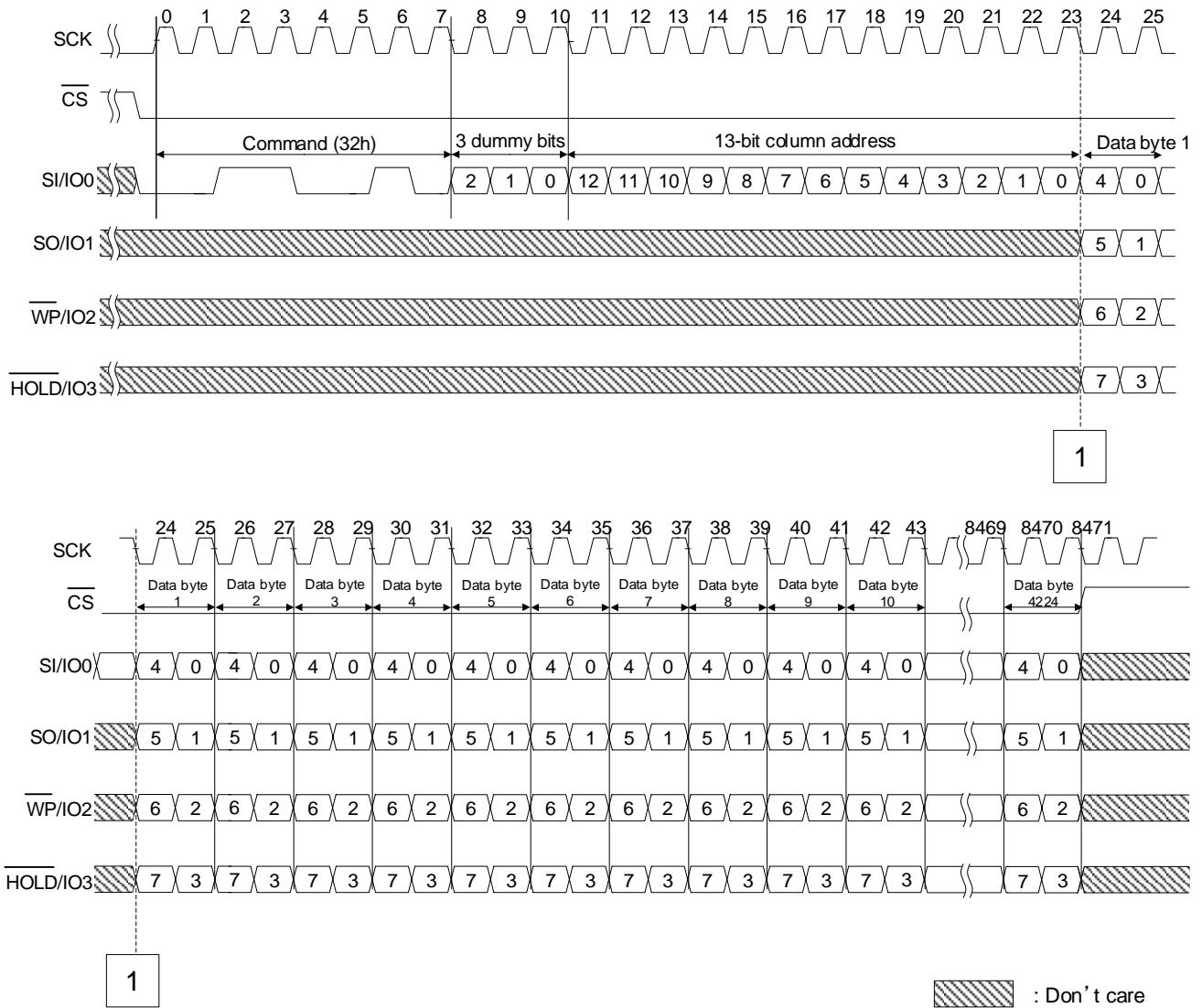
#### 4.4.1. Program Load x1 (02h)



**Note:** When internal ECC is turned OFF, the maximum input data size is 4352 Bytes.

Figure 15. Program Load x1

4.4.2. Program Load x4 (32h)



**Note:** When internal ECC is turned OFF, the maximum input data size is 4352 Bytes.

Figure 16. Program Load x4

4.4.3. Program Execute (10h)

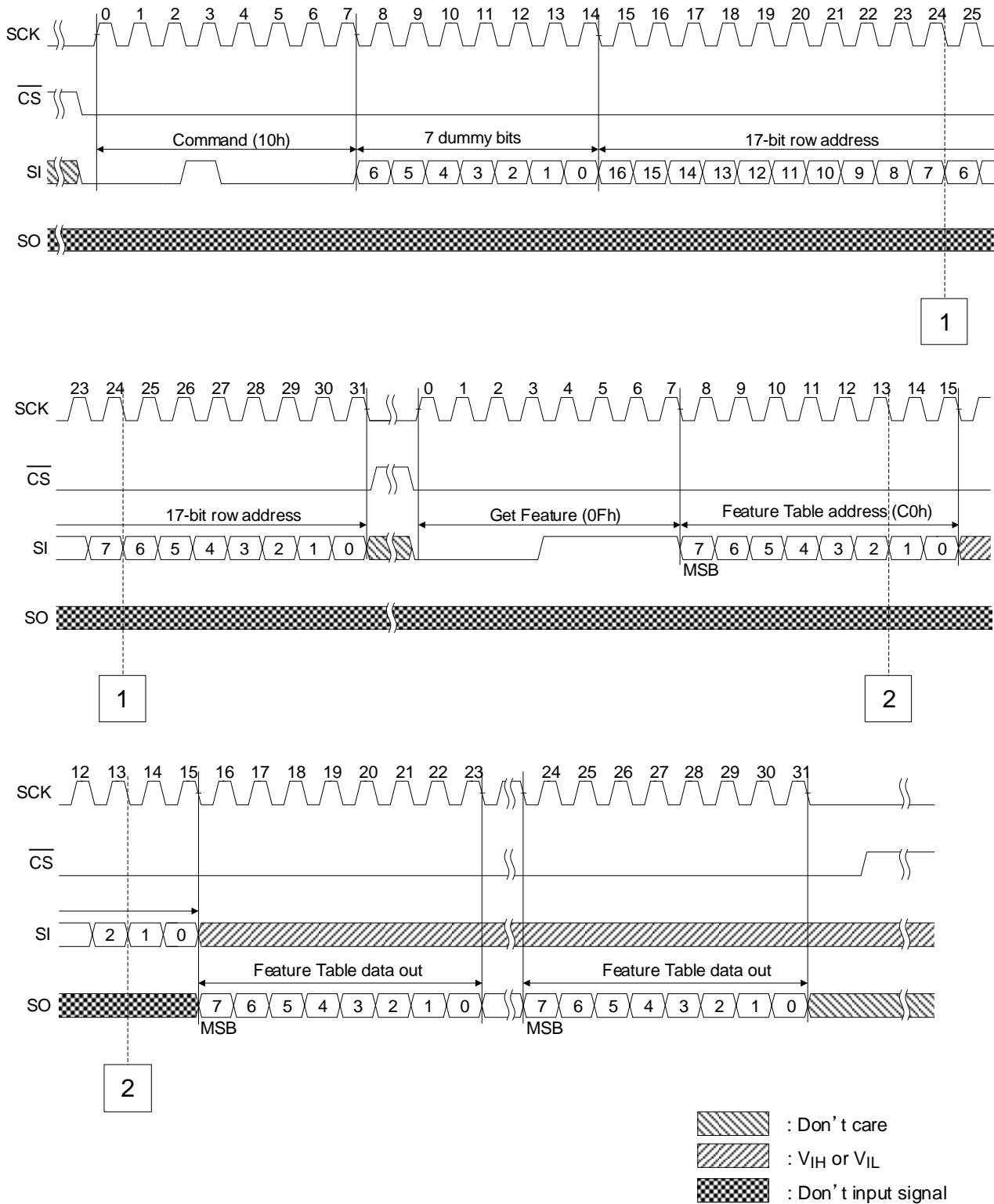
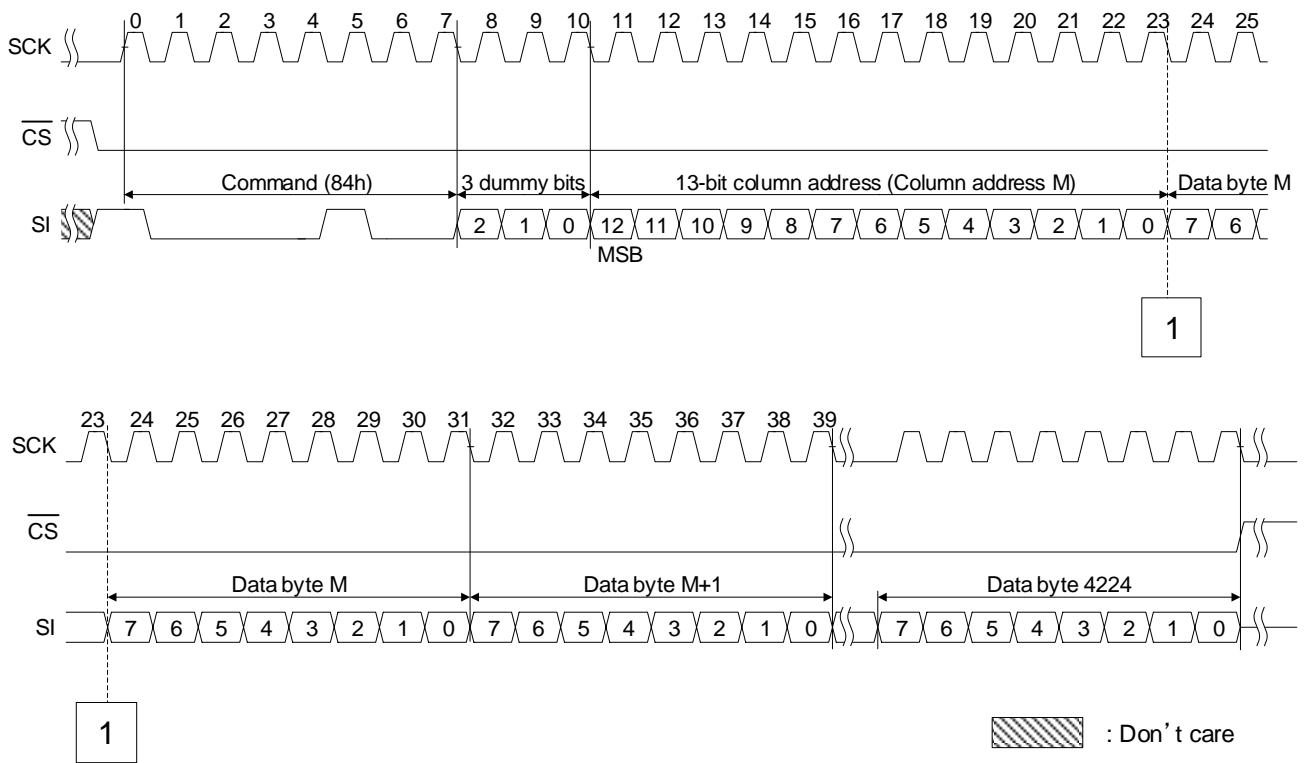


Figure 17. Program Execute Timing

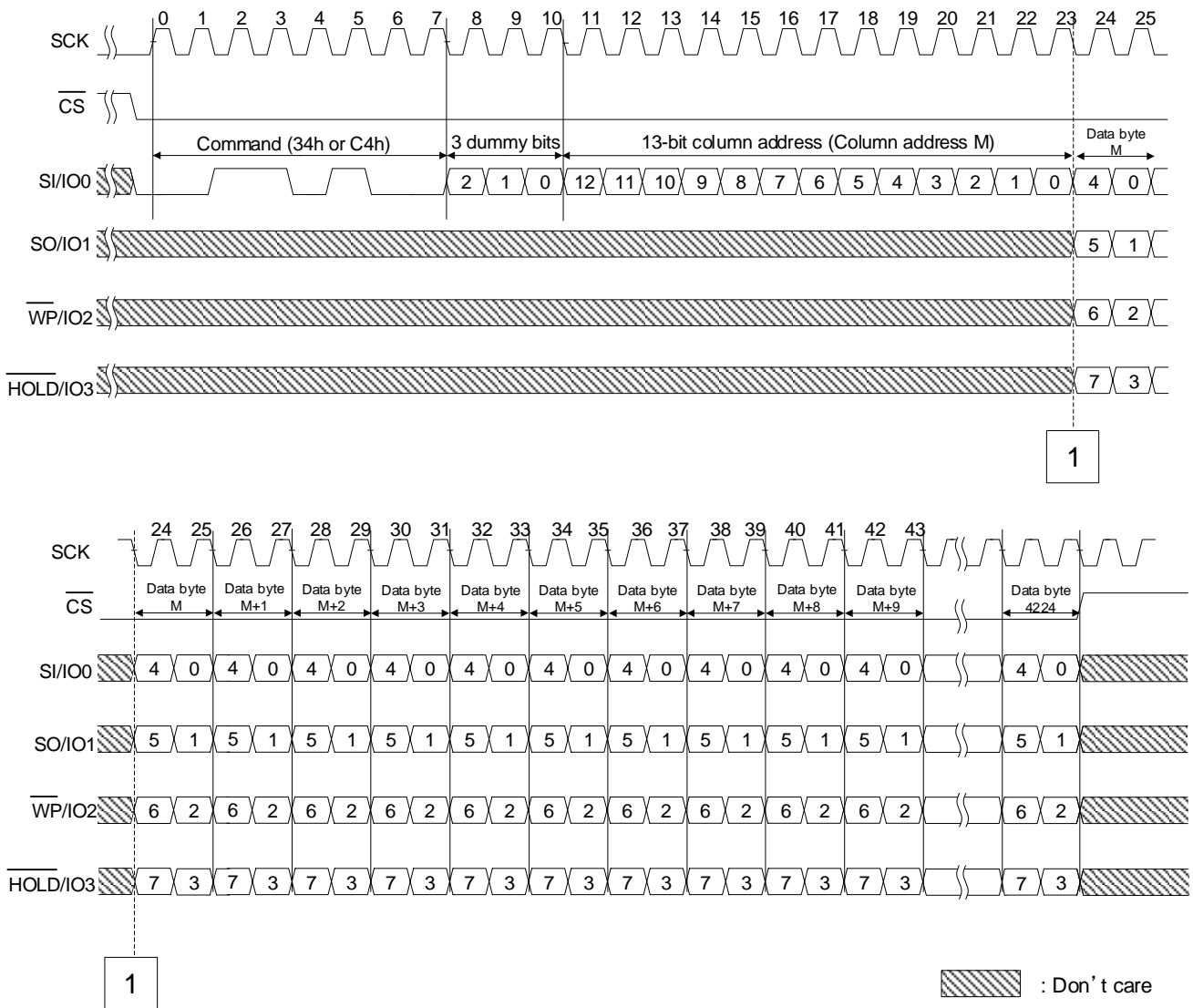
4.4.4. Program Load Random Data x1 (84h)



**Note:** When internal ECC is turned OFF, the maximum input data size is 4352 Bytes.

Figure 18. Program Load Random Data x1 Timing

4.4.5. Program Load Random Data x4 (34h or C4h)



**Note:** When internal ECC is turned OFF, the maximum input data size is 4352 Bytes.

Figure 19. Program Load Random Data x4 Timing



#### 4.5. Internal Data Move Operation

The Internal Data Move Operation is used to change the data in a page without data output. Before using this operation, the users must disable the Page Read High Speed Mode. To complete the operation, the command sequence must be executed as follows.

1. Set Feature (1Fh) : To disable Page Read High Speed Mode
2. Read Cell Array (13h) : To read data from the cell array to internal buffer
3. Get Feature (0Fh) : To read the status (OIP, ECCS0 and ECCS1 bits) of the device
4. Write Enable (06h) : To enable the write
5. Program Load Random Data x1 (84h) : To change the data in the internal buffer  
or Program Load Random Data x4 (34h or C4h)
6. Program Execute (10h) : To program data from the buffer to the cell array
7. Get Feature (0Fh) : To read the status (OIP, PRG\_F bits) of the device

Program Load Random Data and Get Feature commands are repeatable command.

The status of the internal ECC depends on ECC\_E bit in the feature table. When internal ECC is disabled, bit flips are not managed by the device. In case of Program Load Random Data x4, HOLD\_D bit must be set 1 (HOLD function is disabled) by Set Feature command in advance. The Internal Data move Operation is also performed in case that Write Enable command is issued just before Program Execute command.

### 4.6. Block Erase (D8h)

The Block Erase Operation erases the selected block. The page address is ignored automatically. To complete the operation, the command sequence must be executed as follows.

1. Write Enable (06h) : To enable the Erase operation
2. Block Erase (D8h) : To erase data in the block
3. Get Feature (0Fh) : To read the status (OIP and ERS\_F bits) of the device

Get Feature command is repeatable command.

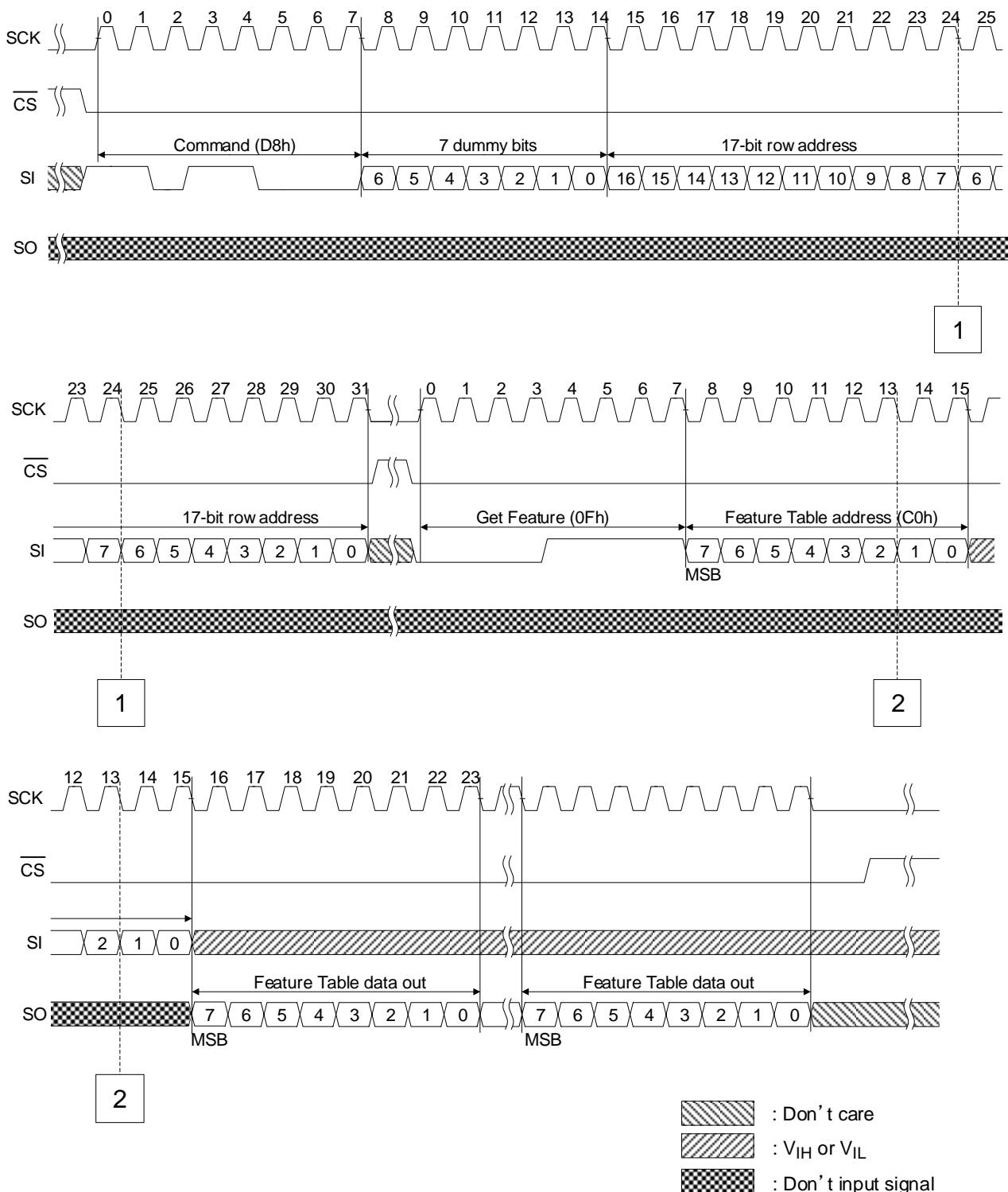


Figure 20. Block Erase Timing

### 4.7. Reset (FFh or FEh)

The Reset operation is executed to abort the operation in progress by Reset command FFh or FEh. The Read, Program, Erase and Block Protection operations will be aborted by inputting the Reset command during busy state. In this case, the contents of memory cells being programmed or erased are no longer valid, because the data will be partially programmed or erased. To complete the operation, the command sequence must be executed as follows.

1. Reset (FFh or FEh) : To reset the device
2. Get Feature (0Fh) : To read the status (OIP bit) of the device

Get Feature command is repeatable command.

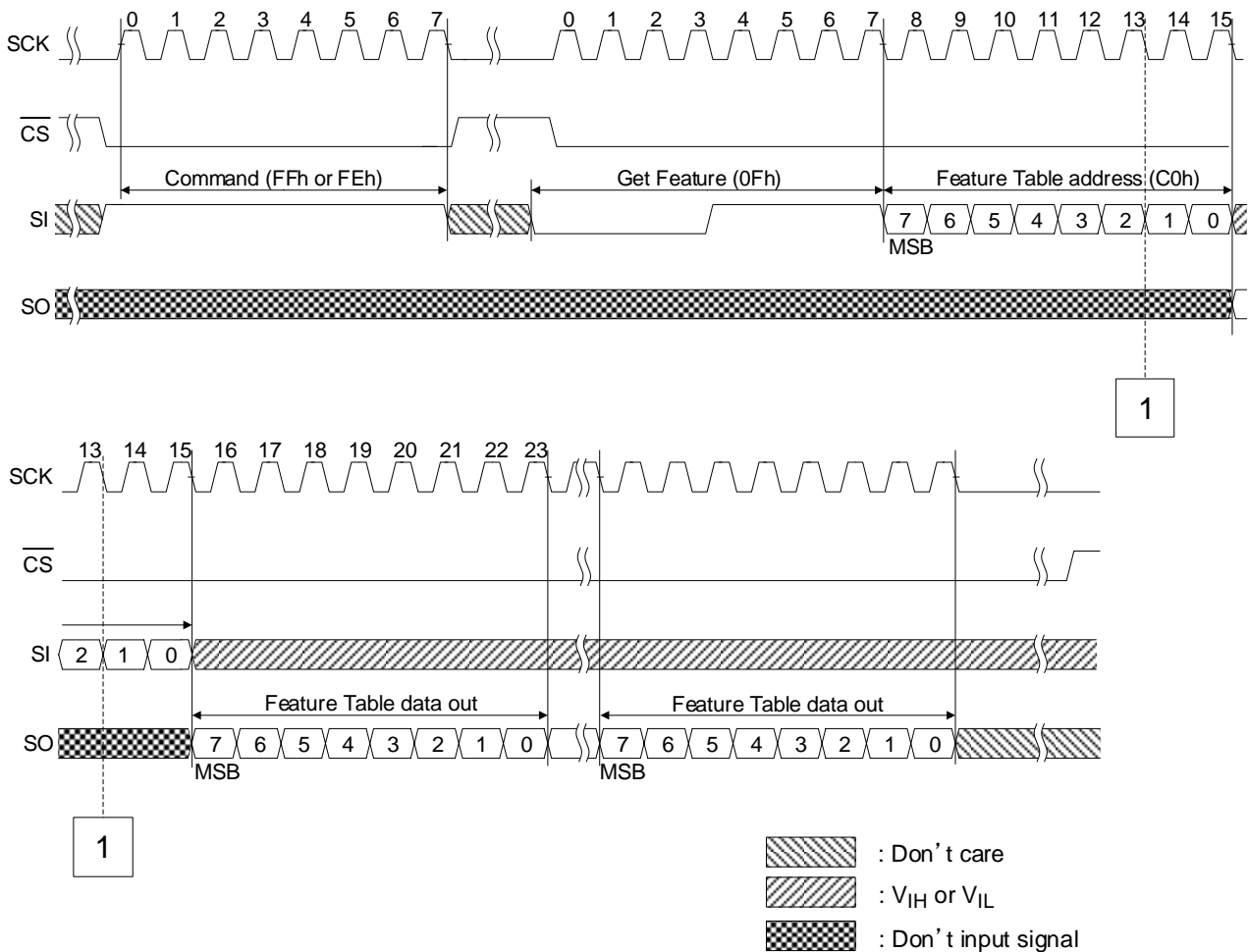


Figure 21. Reset Timing

### 4.8. Write Enable (06h) / Write Disable (04h)

The Write Enable/Disable commands set or reset the WEL (Write Enable Latch) bit in the feature table shown in Table 12. The Write Enable command sets the WEL bit to 1. The Write Enable command must be issued before the Page Program, Block Protection and Block Erase operations. The Write Disable command clears the WEL bit to 0. If the WEL bit is cleared, Page Program, Block Protection and Block Erase commands are ignored by the device.

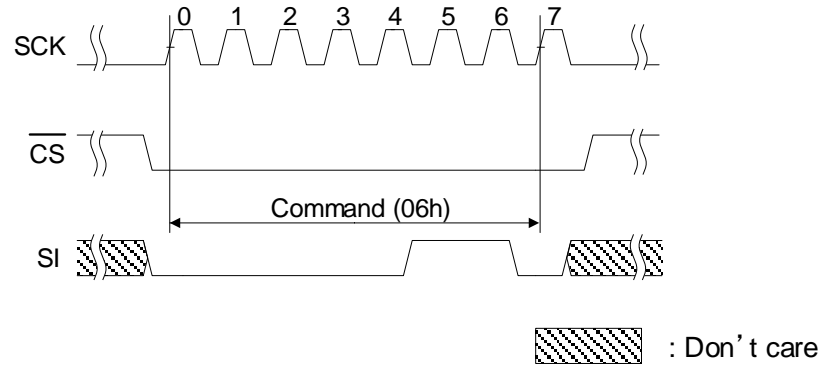


Figure 22. Write Enable Timing

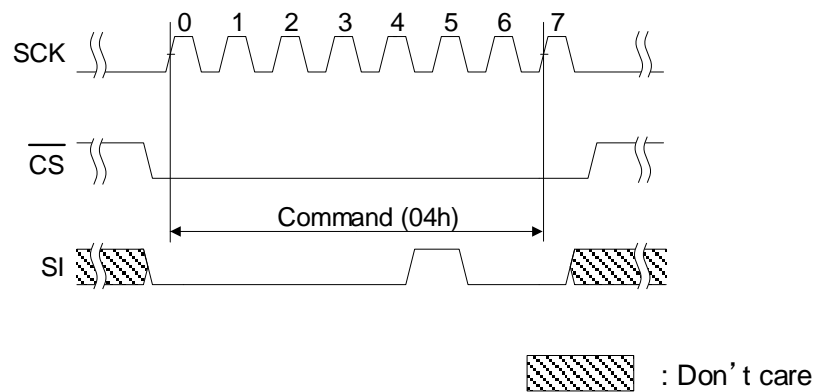


Figure 23. Write Disable Timing

#### 4.9. Set Feature (1Fh) / Get Feature (0Fh)

The users can set individual features using the Set Feature operation, and Get Feature operation can be used for getting feature settings or status of the device. Feature settings and status are shown in Table 12. Refer to other sections for the details of each setting and status. When a feature is set once by the Set Feature command, the device keeps the bit until power OFF even if a Reset (FFh or FEh) command is issued.

Table 12 Feature Table

Address	Bit							
	7	6	5	4	3	2	1	0
A0h	BRWD (R/W)	Reserved	BL2 (R/W)	BL1 (R/W)	BL0 (R/W)	Reserved	Reserved	Reserved
B0h	Reserved	IDR_E (R/W)	Reserved	ECC_E (R/W)	Reserved	PRT_E (R/W)	HSE (R/W)	HOLD_D (R/W)
C0h	Reserved	Reserved	ECCS1 (R)	ECCS0 (R)	PRG_F (R)	ERS_F (R)	WEL (R/W)	OIP (R)
10h	BFD3 (R/W)	BFD2 (R/W)	BFD1 (R/W)	BFD0 (R/W)	Reserved	Reserved	Reserved	Reserved
20h	BFS7 (R)	BFS6 (R)	BFS5 (R)	BFS4 (R)	BFS3 (R)	BFS2 (R)	BFS1 (R)	BFS0 (R)
30h	MBF3 (R)	MBF2 (R)	MBF1 (R)	MBF0 (R)	Reserved	MFS2 (R)	MFS1 (R)	MFS0 (R)
40h	BFR7 (R)	BFR6 (R)	BFR5 (R)	BFR4 (R)	BFR3 (R)	BFR2 (R)	BFR1 (R)	BFR0 (R)
50h	BFR15 (R)	BFR14 (R)	BFR13 (R)	BFR12 (R)	BFR11 (R)	BFR10 (R)	BFR9 (R)	BFR8 (R)
60h	BFR23 (R)	BFR22 (R)	BFR21 (R)	BFR20 (R)	BFR19 (R)	BFR18 (R)	BFR17 (R)	BFR16 (R)
70h	BFR31 (R)	BFR30 (R)	BFR29 (R)	BFR28 (R)	BFR27 (R)	BFR26 (R)	BFR25 (R)	BFR24 (R)

**Note:** (R/W): Read / Write, (R): Read only

The users must use the Write Enable (06h) or the Write Disable (04h) command to switch the WEL bit since Set Feature command cannot change it.

The value of Reserved bits in Feature Table is 0.

The access to any unknown address which is not defined in this Feature Table is not allowed.

The bits in Feature Table which are related to ECC functions become valid when the Internal ECC is turned on by the setting of ECC\_E bit (bit [4]) in address B0h.

When the users use the commands of Program Load x4 (32h) or Program Load Random Data x4 (34h/C4h), HOLD\_D bit must be set 1 (Hold function is disabled) in advance.

All the bits in Feature Table will be back to the default value after the power on sequence.

Table 13 Feature Table - A0h Address Description

Bit	Symbol	Parameter	Read / Write	Description
7	BRWD	Block Register Write Disable	R/W	When WP pin is Low and BRWD is set to 1, over write for BRWD and BL bits are prohibit. 1b: Disable 0b: Enable (Default)
6	Reserved	-	-	Reserved
5	BL2	Block Lock 2	R/W	The users set the locked blocks as entire of device or portion of device using the BL bits. 000b: All Unlocked 001b: Upper 1/64 Locked 010b: Upper 1/32 Locked 011b: Upper 1/16 Locked 100b: Upper 1/8 Locked 101b: Upper 1/4 Locked 110b: Upper 1/2 Locked 111b: All Locked (Default)
4	BL1	Block Lock 1	R/W	
3	BL0	Block Lock 0	R/W	
2	Reserved	-	-	Reserved
1	Reserved	-	-	Reserved
0	Reserved	-	-	Reserved

**Note:** (R/W): Read / Write, (R): Read only  
Refer to the description of BRWD and BL2-0 in 4.10 Block Lock Operation.

Table 14 Feature Table - B0h Address Description

Bit	Symbol	Parameter	Read / Write	Description
7	Reserved	-	-	Reserved
6	IDR_E	ID Read Enable	R/W	The setting for Parameter Page Read and Unique ID Read. 0b: Normal Operation (Default) 1b: Parameter Page Read and Unique ID read mode
5	Reserved	-	-	Reserved
4	ECC_E	ECC Enable	R/W	The setting for internal ECC Function. 0b: Internal ECC Disable 1b: Internal ECC Enable (Default)
3	Reserved	-	-	Reserved
2	PRT_E	Block Protect Enable	R/W	The setting for Block Protection. 0b: Normal Operation (Default) 1b: Block Protection Enable – The Protect Execute command (2Ah) is acceptable for Block Protection.
1	HSE	High Speed Mode Enable	R/W	The setting for Page Read High Speed Mode. 0b: High Speed Mode Disable 1b: High Speed Mode Enable (Default)
0	HOLD_D	Hold function Disable	R/W	The setting whether to deactivate HOLD function. 0b: Hold function is enabled (Default) 1b: Hold function is disabled

**Note:** (R/W): Read / Write, (R): Read only  
Refer to the description of ECC\_E in 4.15.1. ECC Switch.  
Refer to the description of PRT\_E in 4.11. Block Protection Operation (One Time Program).  
Refer to the description of HSE in 4.3. Page Read Operation - High Speed Mode.  
When the users use the commands of Program Load x4 (32h) or Program Load Random Data x4 (34h/C4h), HOLD\_D bit must be set 1 (Hold function is disabled) in advance.

Table 15 Feature Table - C0h Address Description

Bit	Symbol	Parameter	Read / Write	Description
7	Reserved	-	-	Reserved
6	Reserved	-	-	Reserved
5	ECCS1	ECC Status 1	R	ECC status bits indicate the status of internal ECC operation. 00b: No bit flips were detected in last page read. 01b: Bit flips were detected and corrected. Bit flip count was less than the threshold bit count. The threshold bit count is set by bits [7:4] in address 10h in the feature table. 10b: Multiple bit flips were detected and not corrected. 11b: Bit flips were detected and corrected. Bit flip count was equal to or more than the threshold bit count. The threshold bit count is set by bits [7:4] in address 10h in the feature table.
4	ECCS0	ECC Status 0	R	
3	PRG_F	Program Fail	R	Program fail bit indicates that a program failure has occurred in the last Program or Block Protection operation. 0b: Program Pass 1b: Program Fail
2	ERS_F	Erase Fail	R	Erase fail bit indicates that an erase failure has occurred in the last Erase operation. 0b: Erase Pass 1b: Erase Fail
1	WEL	Write Enable Latch	R/W	This bit indicates the status of write enable/disable. 0b: Write Disable (Default) 1b: Write Enable
0	OIP	Operation In Progress	R	This bit indicates the status of the device. This bit will be set while busy state. 0b: Operation is not in progress. Ready state. 1b: Operation is in progress. Busy state.

**Note:** (R/W): Read / Write, (R): Read only

The users must use the Write Enable (06h) or the Write Disable (04h) command to switch the WEL bit since Set Feature command cannot change it.

Once the Get Feature command is issued, the status and setting information are output continuously.

OIP, PRG\_F, ERS\_F bits are updated automatically during the status information are output continuously.

PRG\_F and ERS\_F bits are valid until other acceptable commands are executed.

4.9.1. Set Feature (1Fh)

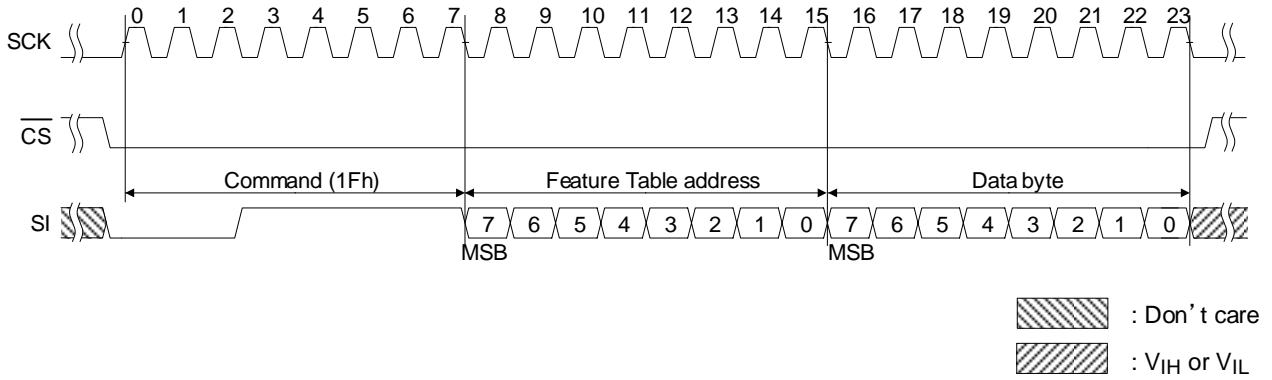


Figure 24. Set Feature Timing

4.9.2. Get Feature (0Fh)

After the Get Feature command and the address are input, the 8bit status and setting information will be output continuously until CS goes High.

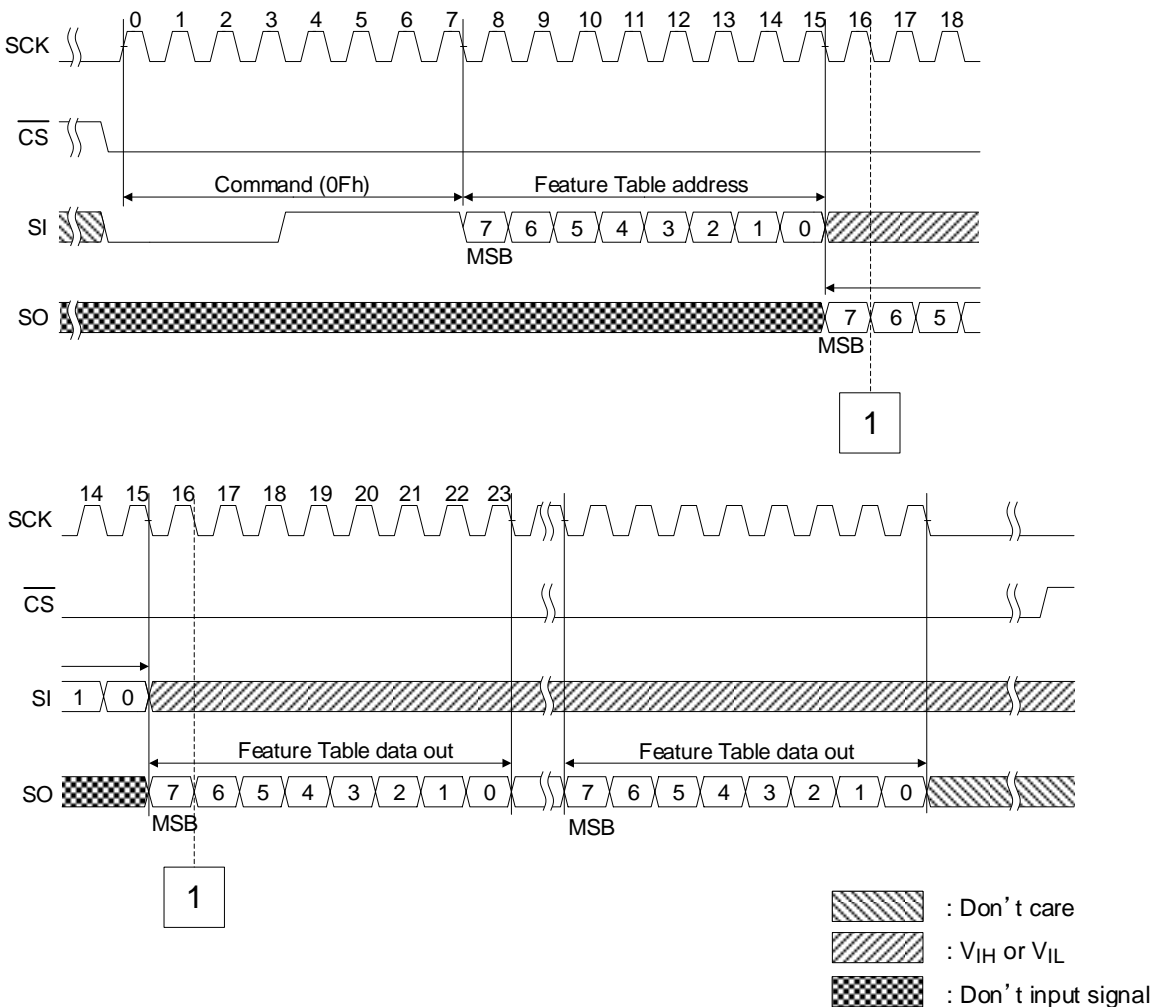


Figure 25. Get Feature Timing



### 4.10. Block Lock Operation

The Block Lock Operation prevents Page Program, Block Protection and Block Erase operations. The users set the range of locked blocks as the entire device or a portion of the device using the BL bits (bits [5:3]) in address A0h of the feature table shown in Table 12. The users set the BL bits by the Set Feature operation. After the power on sequence, all blocks are locked (bits [5:3] are all set to 1). If the Program Execute (10h), Protect Execute (2Ah) or Block Erase (D8h) command is issued to locked blocks, Program Fail or Erase Fail will be indicated in the feature table shown in Table 12.

The users must clear / change the BL bits using Set Feature command to unlock the entire of the device or portion of the device. When BRWD bit is set and WP pin is Low, the users cannot switch the BRWD and the BL bits.

The Block Lock Operation is different from the Block Protection Operation.

Table 16 Block Lock Setting

BL2	BL1	BL0	Protected Area	Protected Blocks
0	0	0	All Unlocked	None
0	0	1	Upper 1/64 Locked	Block 2016 to 2047
0	1	0	Upper 1/32 Locked	Block 1984 to 2047
0	1	1	Upper 1/16 Locked	Block 1920 to 2047
1	0	0	Upper 1/8 Locked	Block 1792 to 2047
1	0	1	Upper 1/4 Locked	Block 1536 to 2047
1	1	0	Upper 1/2 Locked	Block 1024 to 2047
1	1	1	All Locked	Block 0 to 2047

### 4.11. Block Protection Operation (One Time Program)

The Block Protection Operation provides the function to prohibit the Program and Erase operations to user’s selected blocks. The users can protect individual blocks using the Set Feature, Write Enable and Protect Execute commands. The last 128 blocks of the device are able to be set to protected blocks. The block protection setting is permanent. Once a block is protected, the users cannot unprotect the block.

When PRT\_E (bit [2]) in address B0h of the feature table is set to 1, and the users issue the Protect Execute command (2Ah), the user block will become a protected block. The users must set the PRT\_E bit (bit [2]) just before the Write Enable command for the Protect Execute. After the protection to the block, the users must clear bit [2] in address B0h using the Set Feature command. The users can issue the Protect Execute (2Ah) only one time for each block.

The Block Protection Operation is different from the Block Lock Operation.

To complete the operation to protect block “N”, the command sequence must be executed as follows.

1. Set Feature (1Fh) : To set PRT\_E bit [2] in address B0h to block protection mode
2. Write Enable (06h) : To enable the Protect Execute command
3. Protect Execute (2Ah) for block “N” : To protect the block “N”
4. Get Feature (0Fh) : To read the status (OIP and PRG\_F bits) of the device
5. Set Feature (1Fh) : To clear PRT\_E bit [2] in address B0h

Get Feature command is repeatable command.

Table 17 Block Protection Setting

PRT_E	State
0	Normal Operation (Default)
1	Block Protection Enable – The Protect Execute command (2Ah) is acceptable for Block Protection.

Table 18 Block Number for Block Protection

Block Number	Block Protection
Block 0 – Block 1919	The users cannot protect these blocks by Block Protection operation.
Block 1920 – Block 2047	The users can protect these blocks by Block Protection operation.

4.11.1. Protect Execute (2Ah)

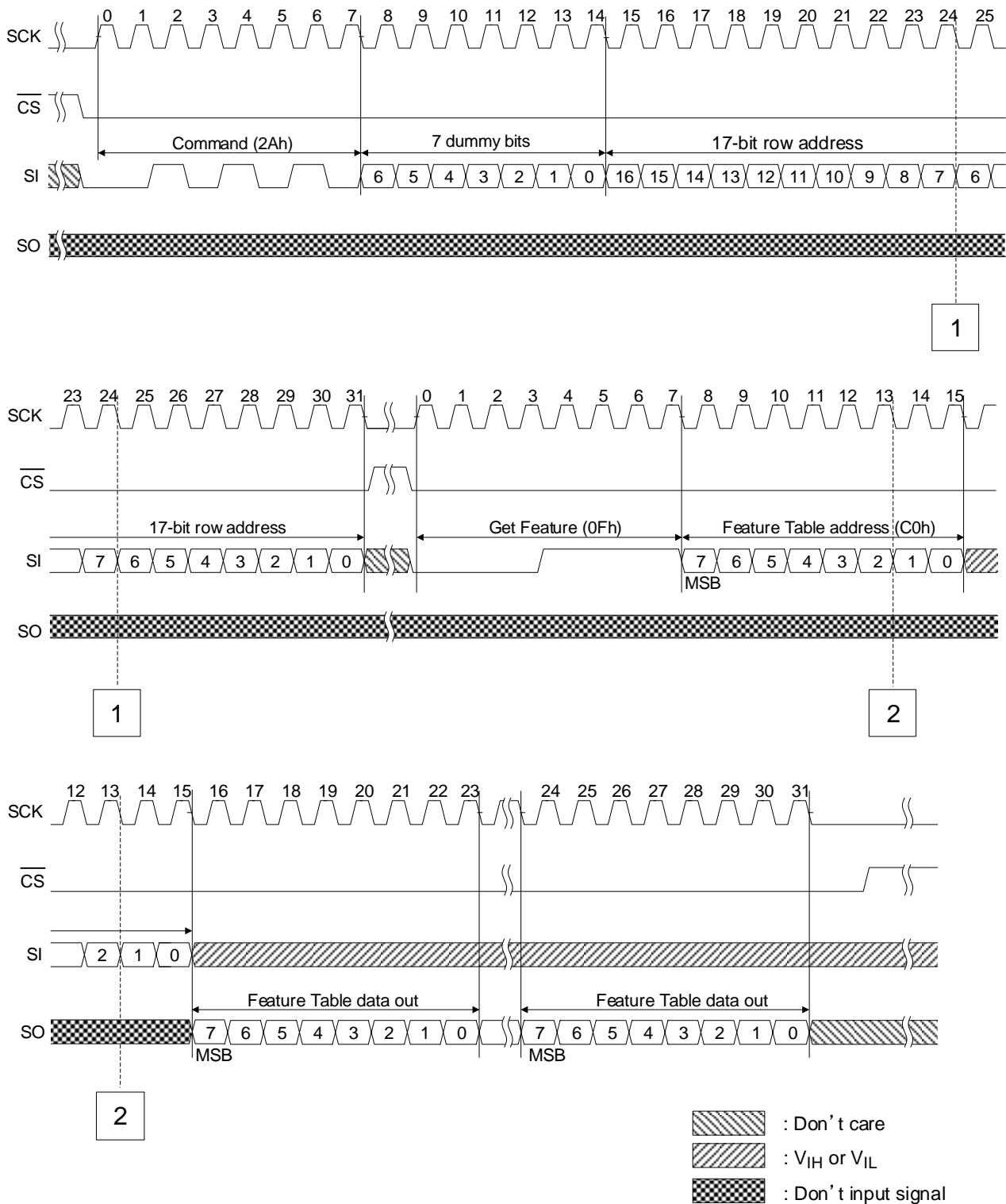


Figure 26. Protect Execute Timing

## 4.12. Parameter Page Read Operation

The device has a parameter page. To complete the operation, the command sequence must be executed as follows.

1. Set Feature (1Fh) with address B0h and set bit [6] : To set the IDR\_E bit in the feature table
2. Read Cell Array (13h) with address 01h : To read the parameter page
3. Get Feature (0Fh) : To read the status (OIP bit) of the device
4. Read Buffer (03h or 0Bh) with address 00h : To output the parameter page  
or Read Buffer x2 (3Bh)  
or Read Buffer x4 (6Bh)
5. Set Feature (1Fh) with address B0h and clear bit [6] : To clear the IDR\_E bit in the feature table

Read Buffer, Read Buffer x2, Read Buffer x4 and Get Feature commands are repeatable commands.

Table 19 Parameter Page

Byte	Parameter	Value
0 - 3	Signature	4Eh, 41h, 4Eh, 44h
4 - 31	Reserved	All 00h
32 - 43	Device manufacturer	54h, 4Fh, 53h, 48h, 49h, 42h, 41h, 20h, 20h, 20h, 20h, 20h
44 - 63	Device model; TC58CVG2S0HRAIJ	54h, 43h, 35h, 38h, 43h, 56h, 47h, 32h, 53h, 30h, 48h, 52h, 41h, 49h, 4Ah, 20h, 20h, 20h, 20h, 20h
64	Manufacturer ID	98h
65 - 79	Reserved	All 00h
80 - 83	Number of data bytes per page	00h, 10h, 00h, 00h
84 - 85	Number of spare bytes per page	80h, 00h
86 - 89	Number of data bytes per partial page	00h, 02h, 00h, 00h
90 - 91	Number of spare bytes per partial page	10h, 00h
92 - 95	Number of pages per block	40h, 00h, 00h, 00h
96 - 99	Number of blocks per unit	00h, 08h, 00h, 00h
100	Number of logical units	01h
101	Reserved	00h
102	Number of bits per cell	01h
103 - 104	Bad blocks maximum per unit	28h, 00h
105 - 106	Block endurance	01h, 05h
107	Guaranteed valid blocks at beginning of target	08h
108 - 109	Reserved	All 00h
110	Number of programs per page	04h
111	Reserved	00h
112	Number of ECC bits	00h
113 - 127	Reserved	All 00h
128	I/O pin capacitance	04h
129 - 132	Reserved	All 00h
133 - 134	t <sub>PROG</sub> maximum page program time	58h, 02h
135 - 136	t <sub>BERASE</sub> maximum block erase time	58h, 1Bh
137 - 138	t <sub>R</sub> maximum page read time	2Ch, 01h
139 - 253	Reserved	All 00h
254 - 255	Integrity CRC	B1h, 95h
256 - 511	Value of bytes 0-255	-
512 - 767	Value of bytes 0-255	-

**Note:** The value of all parameters are default setting of the device.

Even though the users change the setting of the device such as internal ECC enable/disable, parameter page is not updated.

The Integrity CRC (Cyclic Redundancy Check) field is used to verify that the contents of the Parameter Page were transferred correctly to the host. The CRC of the Parameter Page is a word (16-bit) field. The CRC calculation covers all of data between byte 0 and byte 253 of the Parameter Page inclusive.

The CRC shall be calculated on byte (8-bit) quantities starting with byte 0 in the Parameter Page. The bits in the 8-bit quantity are processed from the most significant bit (bit 7) to the least significant bit (bit 0).

The CRC shall be calculated using the following 16-bit generator polynomial:

$$G(X) = X_{16} + X_{15} + X_2 + 1$$

This polynomial in hex may be represented as 8005h.

The CRC value shall be initialized with a value of 4F4Eh before the calculation begins. There is no XOR applied to the final CRC value after it is calculated. There is no reversal of the data bytes or the CRC calculated value.

### 4.13. Read ID (9Fh)

The ID of the device is read by command 9Fh.

Table 20 ID Table

Byte	Description	Value
Byte 0	Manufacture ID (KIOXIA)	98h
Byte 1	Device ID	EDh
Byte 2	Organization ID	51h

Table 21 Organization ID Table

Item	Description	Bit7	Bit6	Bit5	Bit4	Bit3	Bit2	Bit1	Bit0
Page size	2Kbytes							0	0
	4Kbytes							0	1
Spare area	16Bytes (ECC=On) / 32Bytes (ECC=Off)					0	0		
Block size	128KBytes			0	0				
	256KBytes			0	1				
Bus width	Read x4 max. / Program x4 max.	0	1						

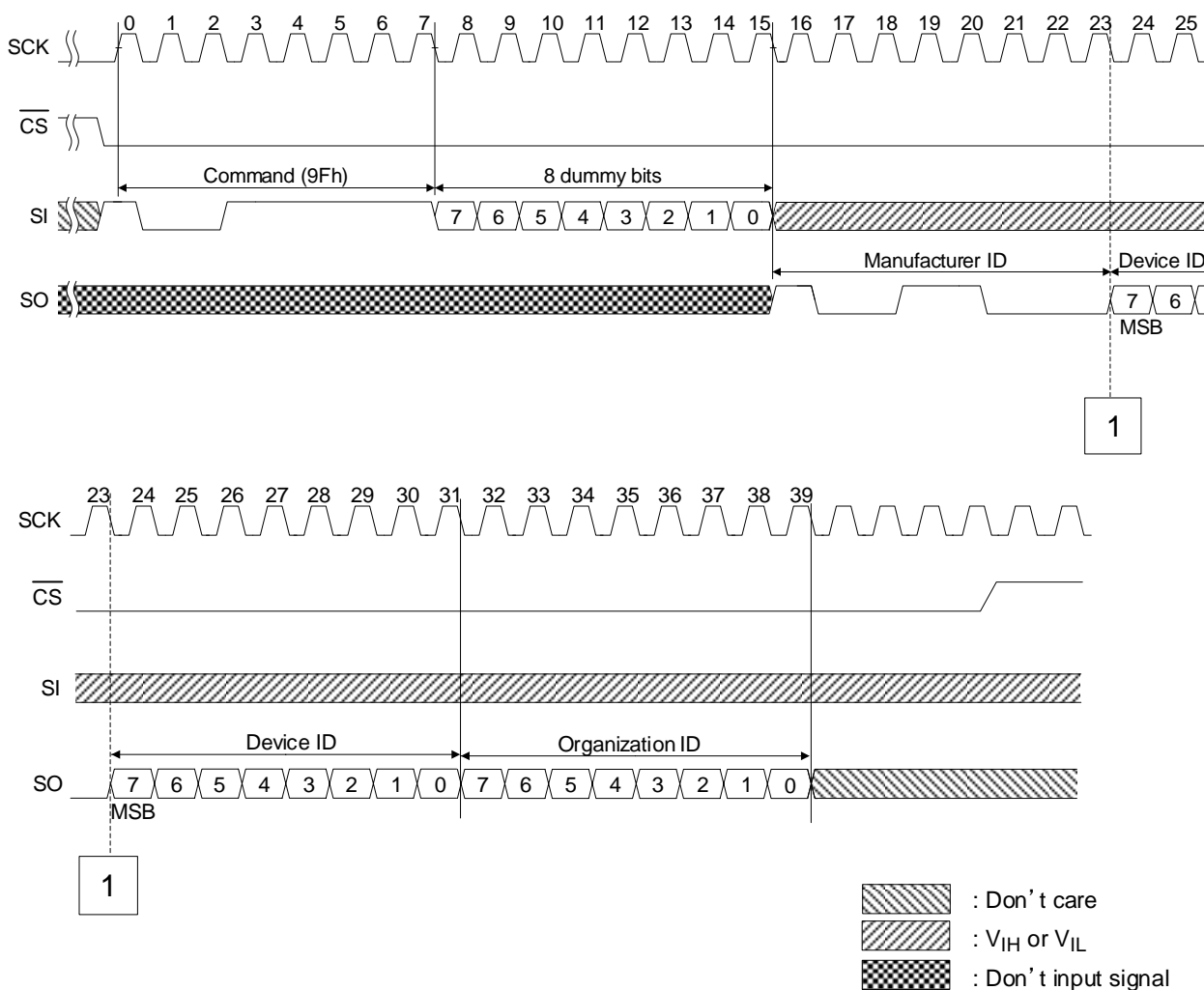


Figure 27. Read ID Timing

#### 4.14. Unique ID Read Operation

The device has a unique ID and it is different for each device. The device has 16 copies of 32 bytes of unique ID data. The first 16 bytes of data are unique ID data and the second 16 bytes of data are the complement value of the first 16 bytes of data. To complete the operation, the command sequence must be executed as follows.

1. Set Feature (1Fh) with address B0h and set bit [6] : To set the IDR\_E bit in the feature table
2. Read Cell Array (13h) with address 00h : To read the unique ID
3. Get Feature (0Fh) : To read the status (OIP bit) of the device
4. Read Buffer (03h or 0Bh) with address 00h : To output the 16 copies of the Unique ID  
or Read Buffer x2 (3Bh)  
or Read Buffer x4 (6Bh)
5. Set Feature (1Fh) with address B0h and clear bit [6] : To clear the IDR\_E bit in the feature table

Read Buffer, Read Buffer x2, Read Buffer x4 and Get Feature commands are repeatable commands.

### 4.15. Internal ECC

The device has internal ECC and it generates error correction code during the busy time in a Program operation. The ECC logic manages 9bit error detection and 8bit error correction in each 528 bytes of main and spare data. A section of the main area (512 bytes) and spare area (16 bytes) are paired for ECC calculation. During the Read operation, the device executes ECC by itself. Once the Read command is executed, the Get Feature command can be issued to check the read status. The read status is valid until other acceptable commands are executed.

The device has the functions of Bit Flip Detection and Maximum Bit Flip Count Report. Internal ECC detects the bit flips in each sector and the maximum bit flip count in a page. These results are indicated in the feature table as shown in Table 12.

Table 22 Page Assignment

1st Main	2nd Main	3rd Main	4th Main	5th Main	6th Main	7th Main	8th Main	1st Spare	2nd Spare	3rd Spare	4th Spare	5th Spare	6th Spare	7th Spare	8th Spare	Internal ECC Parity Area
512B	512B	512B	512B	512B	512B	512B	512B	16B	16B	16B	16B	16B	16B	16B	16B	128B

Table 23 Definition of 528 bytes Data Pair

Data Pair	Column Address	
	Main Area	Spare Area
1st Data Pair (Sector 0)	0 to 511	4096 to 4111
2nd Data Pair (Sector 1)	512 to 1023	4112 to 4127
3rd Data Pair (Sector 2)	1024 to 1535	4128 to 4143
4th Data Pair (Sector 3)	1536 to 2047	4144 to 4159
5th Data Pair (Sector 4)	2048 to 2559	4160 to 4175
6th Data Pair (Sector 5)	2560 to 3071	4176 to 4191
7th Data Pair (Sector 6)	3072 to 3583	4192 to 4207
8th Data Pair (Sector 7)	3584 to 4095	4208 to 4223

**Note:** The ECC parity code generated by internal ECC is stored in column addresses 4224-4351 and the users cannot access to these specific addresses when internal ECC is enabled. While using the Partial Page Program, the users must program the data to main and spare area simultaneously by the definition of data pair.

#### 4.15.1. ECC Switch

The internal ECC is enabled after the power on sequence. The users set or clear the ECC\_E bit (bit [4]) in address B0h of the feature table to enable or disable the internal ECC by the Set Feature command. If the ECC\_E bit is cleared to 0 in the feature table, internal ECC will be disabled. In this case, the spare area size is changed from 128 bytes to 256 bytes automatically. In case of switching the ECC\_E bit, the users must issue the Set Feature command just before the Page Read, Page Program or Block Erase operation. Once users decide the internal ECC condition either Enable or Disable, the same condition must be kept in use.

#### 4.15.2. ECC Status

The ECC Status function is used to monitor the error correction status. The device can correct up to 8bit errors. ECC is performed on the NAND Flash main and spare areas. The ECC status is indicated in the ECCS1 and ECCS0 bit (bits [5:4]) in address C0h of the feature table shown in Table 15. The users issue the Get Feature command to read the ECC status.

### 4.15.3. ECC Bit Flip Count Detection

The ECC Bit Flip Count Detection function detects the bit flip count in a page. The users set the threshold bit count using the Set Feature command. The threshold bit count is decided by the BFD bits in address 10h in the feature table as shown in Table 12. The detected results will be indicated in the BFS bits (bits [7:0]) in address 20h. When bit flips exceed the threshold in a sector, the BFS bits are set after the Read Buffer command.

Table 24 Bit Flip Count Detection Setting (BFD)

BFD3	BFD2	BFD1	BFD0	Description
0	0	0	0	Reserved
0	0	0	1	Detect 1 bit flip in a sector
0	0	1	0	Detect 2 bit flips in a sector
0	0	1	1	Detect 3 bit flips in a sector
0	1	0	0	Detect 4 bit flips in a sector (Default)
0	1	0	1	Detect 5 bit flips in a sector
0	1	1	0	Detect 6 bit flips in a sector
0	1	1	1	Detect 7 bit flips in a sector
1	0	0	0	Detect 8 bit flips in a sector
1	1	1	1	Detect the uncorrectable error (9+ bit errors in a sector)

Table 25 Bit Flip Count Detection Status (BFS) (Feature Table - 20h Address Description)

Bit	Symbol	Parameter	Read / Write	Description
7	BFS7	Bit Flip Count Detection Status 7	R	Bit flip count detection status 7 indicates that the bit flip count in sector 7 is more than threshold bit count. 0b: Bit flip count in sector 7 is less than the threshold. 1b: Bit flip count in sector 7 is equal to or more than the threshold bit count.
6	BFS6	Bit Flip Count Detection Status 6	R	Bit flip count detection status 6 indicates that the bit flip count in sector 6 is more than threshold bit count. 0b: Bit flip count in sector 6 is less than the threshold. 1b: Bit flip count in sector 6 is equal to or more than the threshold bit count.
5	BFS5	Bit Flip Count Detection Status 5	R	Bit flip count detection status 5 indicates that the bit flip count in sector 5 is more than threshold bit count. 0b: Bit flip count in sector 5 is less than the threshold. 1b: Bit flip count in sector 5 is equal to or more than the threshold bit count.
4	BFS4	Bit Flip Count Detection Status 4	R	Bit flip count detection status 4 indicates that the bit flip count in sector 4 is more than threshold bit count. 0b: Bit flip count in sector 4 is less than the threshold. 1b: Bit flip count in sector 4 is equal to or more than the threshold bit count.
3	BFS3	Bit Flip Count Detection Status 3	R	Bit flip count detection status 3 indicates that the bit flip count in sector 3 is more than threshold bit count. 0b: Bit flip count in sector 3 is less than the threshold. 1b: Bit flip count in sector 3 is equal to or more than the threshold bit count.
2	BFS2	Bit Flip Count Detection Status 2	R	Bit flip count detection status 2 indicates that the bit flip count in sector 2 is more than threshold bit count. 0b: Bit flip count in sector 2 is less than the threshold. 1b: Bit flip count in sector 2 is equal to or more than the threshold bit count.
1	BFS1	Bit Flip Count Detection Status 1	R	Bit flip count detection status 1 indicates that the bit flip count in sector 1 is more than threshold bit count. 0b: Bit flip count in sector 1 is less than the threshold. 1b: Bit flip count in sector 1 is equal to or more than the threshold bit count.
0	BFS0	Bit Flip Count Detection Status 0	R	Bit flip count detection status 0 indicates that the bit flip count in sector 0 is more than threshold bit count. 0b: Bit flip count in sector 0 is less than the threshold. 1b: Bit flip count in sector 0 is equal to or more than the threshold bit count.

#### 4.15.4. ECC Bit Flip Count Report

The ECC Bit Flip Count Report function reports the bit flip count of each sector in a page. The users can read the bit flip count using the Get Feature command with address 40h, 50h, 60h and 70h.

Table 26 Bit Flip Count Report for Sector 0 (BFR)

BFR3	BFR2	BFR1	BFR0	Description
0	0	0	0	No bit flip occurred in sector 0
0	0	0	1	1 bit flip occurred in sector 0 and was corrected
0	0	1	0	2 bit flips occurred in sector 0 and were corrected
0	0	1	1	3 bit flips occurred in sector 0 and were corrected
0	1	0	0	4 bit flips occurred in sector 0 and were corrected
0	1	0	1	5 bit flips occurred in sector 0 and were corrected
0	1	1	0	6 bit flips occurred in sector 0 and were corrected
0	1	1	1	7 bit flips occurred in sector 0 and were corrected
1	0	0	0	8 bit flips occurred in sector 0 and were corrected
1	1	1	1	Bit flips over 8 bits occurred in sector 0 and were not corrected

Table 27 Sector Definition (BFR)

BFR7	BFR6	BFR5	BFR4	BFR3	BFR2	BFR1	BFR0
Sector 1				Sector 0			
BFR15	BFR14	BFR13	BFR12	BFR11	BFR10	BFR9	BFR8
Sector 3				Sector 2			
BFR23	BFR22	BFR21	BFR20	BFR19	BFR18	BFR17	BFR16
Sector 5				Sector 4			
BFR31	BFR30	BFR29	BFR28	BFR27	BFR26	BFR25	BFR24
Sector 7				Sector 6			



#### 4.15.5. ECC Maximum Bit Flip Count Report

The ECC Maximum Bit Flip Count Report function provides the maximum bit flip count in a page. The maximum count is indicated in address 30h of the feature table shown in Table 12. The sector number in which the maximum bit flip occurred in a page is indicated in the MFS bit (bits [2:0]) in address 30h as shown in Table 29. When several sector's maximum bit flip count are the same, the lowest sector number is indicated in these bits. The users can get the report using the Get Feature command.

Table 28 Maximum Bit Flip Count (MBF)

MBF3	MBF2	MBF1	MBF0	Description
0	0	0	0	No bit error is detected in the page.
0	0	0	1	Maximum bit flip count is 1 bit in a sector. Bit flip was corrected.
0	0	1	0	Maximum bit flip count is 2 bits in a sector. Bit flips were corrected.
0	0	1	1	Maximum bit flip count is 3 bits in a sector. Bit flips were corrected.
0	1	0	0	Maximum bit flip count is 4 bits in a sector. Bit flips were corrected.
0	1	0	1	Maximum bit flip count is 5 bits in a sector. Bit flips were corrected.
0	1	1	0	Maximum bit flip count is 6 bits in a sector. Bit flips were corrected.
0	1	1	1	Maximum bit flip count is 7 bits in a sector. Bit flips were corrected.
1	0	0	0	Maximum bit flip count is 8 bits in a sector. Bit flips were corrected.
1	1	1	1	Maximum bit flip count exceed 8 bits in a sector. Bit flips were not corrected.

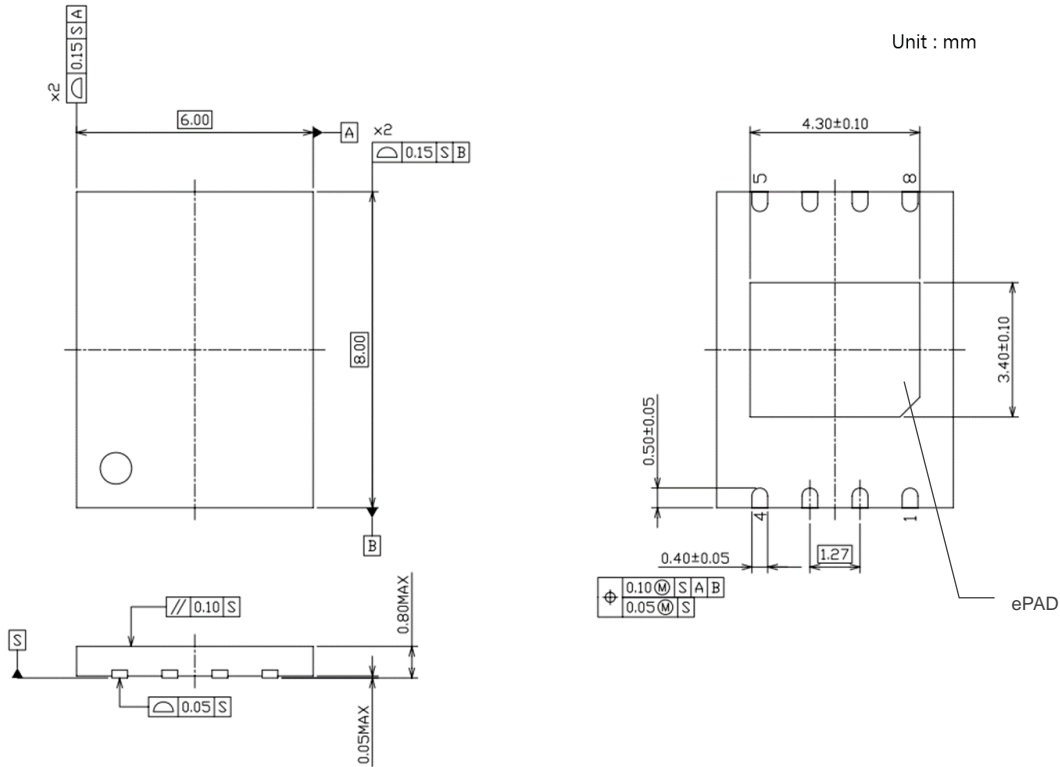
Table 29 Maximum Bit Flip Count Sector (MFS)

MFS2	MFS1	MFS0	Description
0	0	0	Maximum bit flips occurred in sector 0
0	0	1	Maximum bit flips occurred in sector 1
0	1	0	Maximum bit flips occurred in sector 2
0	1	1	Maximum bit flips occurred in sector 3
1	0	0	Maximum bit flips occurred in sector 4
1	0	1	Maximum bit flips occurred in sector 5
1	1	0	Maximum bit flips occurred in sector 6
1	1	1	Maximum bit flips occurred in sector 7

5. Package Information

5.1. WSON8 (P-WSON8-0608-1.27-003)

The WSON8 features an exposed PAD (ePAD). The ePAD is configured on the package bottom without any connection to the chip inside. It is recommended for users to solder the ePAD onto PC board with connection to Vss or None, as the adhesive strength to the PC board will be enhanced.



Weight: 0.12g (typ.)

## 6. Application Notes

### 6.1. Prohibition of Unspecified Commands

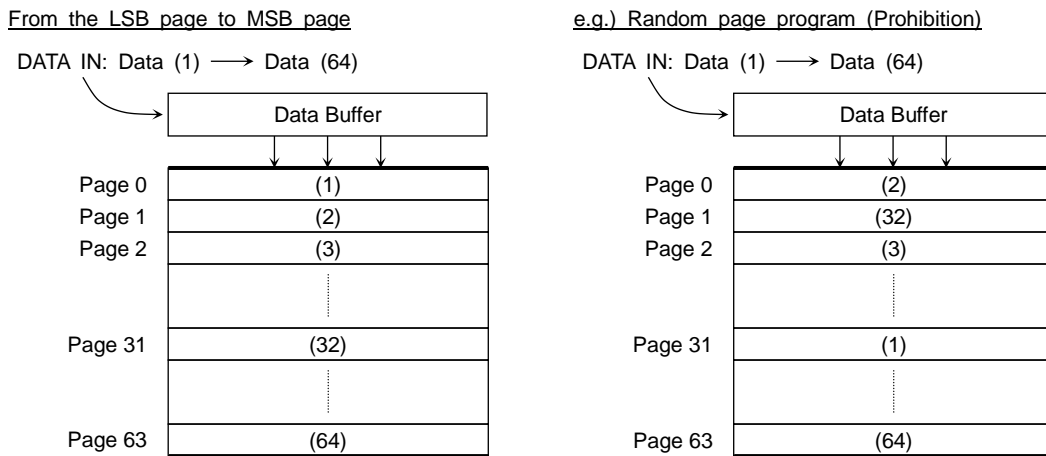
The operation commands are listed in Table 11. Input of a command other than those specified in Table 11 is prohibited. Stored data may be corrupted if an unknown command is entered during the command cycle.

### 6.2. Restriction of Commands while in the Busy State

During the operation in progress, do not input any command except Get Feature (0Fh) and Reset (FFh or FEh).

### 6.3. Addressing for Page Program Operation

Within a block, the pages must be programmed consecutively from the LSB (Least Significant Bit) page of the block to MSB (Most Significant Bit) page of the block. Random page address programming is prohibited.



### 6.4. Several Programming Cycles on the Same Page (Partial Page Program)

#### Internal ECC ON:

Partial Page Program should follow the Table 22 restriction while ECC\_E bit is set to 1.

ECC Parity Code is generated during Program operation on Main area (512 byte) + Spare area (16byte), and this parity code is written to the Parity area as shown in Table 22.

While using the Partial Page Program, the user must program the data to main and spare area simultaneously by the definition of sector in section "Internal ECC".

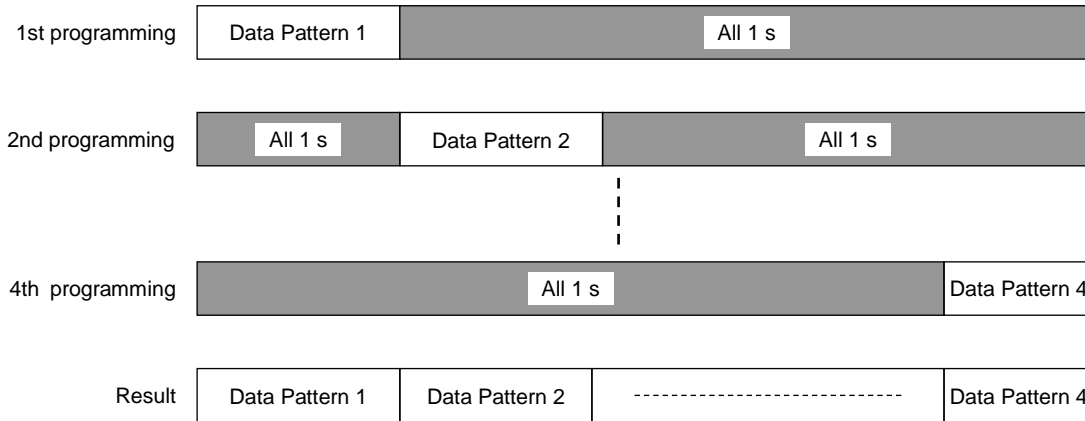
For example, each segment can be programmed individually as follows:



Program Load Random Data x1 (84h) and Program Load Random Data x4 (34h or C4) commands can be used to skip column address within the selected page to improve the data input operation.

**Internal ECC OFF:**

Each segment can be programmed individually as follows while ECC\_E bit is set to 0.



Program Load Random Data x1 (84h) and Program Load Random Data x4 (34h or C4) commands can be used to skip column address within the selected page to improve the data input operation.

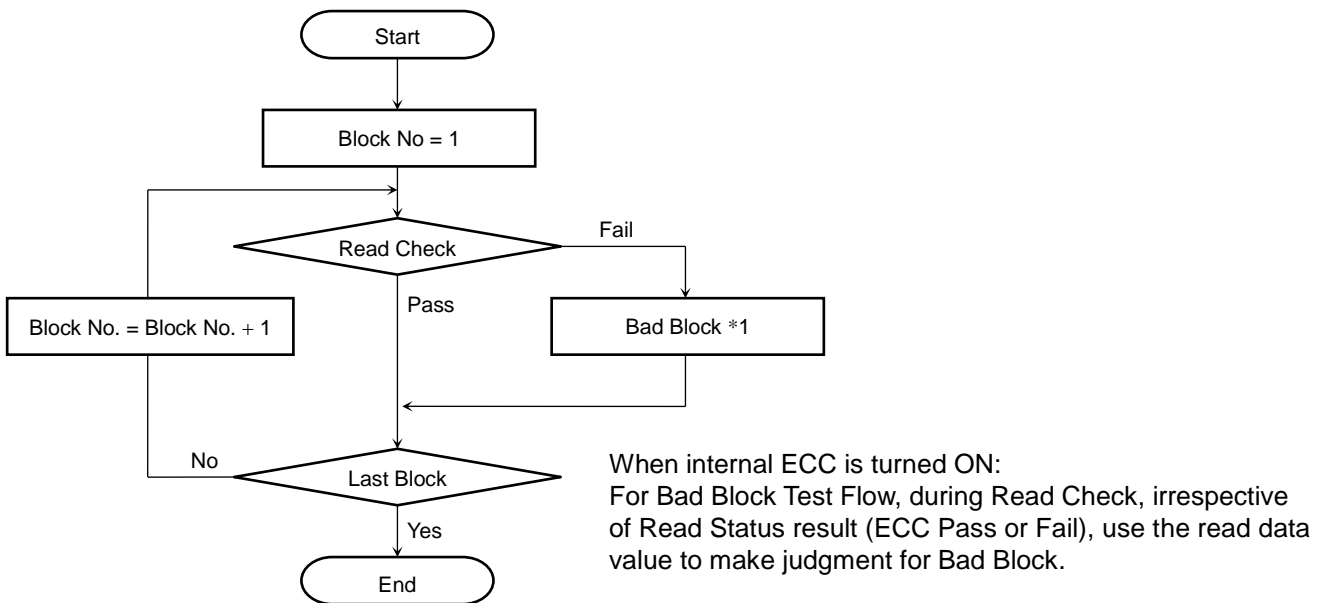
**6.5. Power Off Timing**

Please do not turn off the power before Page Program, Block Protection and Erase operation is completed. Avoid using the device when the battery is low. Power shortage and/or power failure before Write/Erase operation is completed will cause loss of data and/or damage to data.

**6.6. Invalid Blocks (Bad Blocks)**

The device occasionally contains unusable blocks. Therefore, the following issues must be recognized: The Page Program, Block Protection and Erase operation are prohibited to the invalid blocks. When the users issue the Program or Erase command to the initial invalid blocks, the device ignores these commands automatically and Program Fail or Erase Fail is indicated in the feature table as shown in Table 12. Check if the device has any bad blocks after installation into the system. Refer to the test flow for initial bad block detection. Bad blocks which are detected by the test flow must be managed as unusable blocks by the system. A bad block does not affect the performance of good blocks because it is isolated from the bit lines by select gates. The number of valid blocks over the device lifetime is as Table 2.

Regarding invalid blocks, the bad block mark is in the whole pages. Please read one column of any page in each block. If the data of the column is 00 (Hex), define the block as a bad block.



\*1: No erase operation is allowed to detected bad blocks.

### 6.7. Failure Phenomena

The device may fail during a Program, Erase or Read operation.

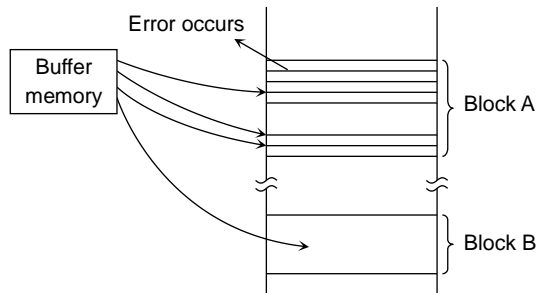
The following possible failure modes should be considered when implementing a highly reliable system.

FAILURE MODE		DETECTION AND COUNTERMEASURE SEQUENCE
Block	Erase Failure	Status Read after Erase → Block Replacement
	Block Protection Failure	Status Read after Block Protection → Block Replacement
Page	Programming Failure	Status Read after Program → Block Replacement
Read	Bit Error	Check the ECC correction status by Get Feature command and take appropriate measures such as rewrite in consideration of Wear Leveling before uncorrectable ECC error occurs.

- Block Protection Failure is checked by PRG\_F bit in Feature Table using Get Feature command after Protect Execute.

### Block Replacement

#### Program



When an error happens in Block A, reprogramming the data into another Block (Block B) by loading from an external buffer. Then, prevent further system accesses to Block A (by creating a bad block table or by using another appropriate scheme).

#### Erase

When an error occurs during an Erase operation, prevent further accesses to this bad block (by creating a table within the system or by using another appropriate scheme).

### 6.8. Reflow temperature profile

Please refer to KIOXIA soldering temperature profile for details.

## 6.9. Reliability Guidance

This reliability guidance is intended to provide some guidance related to using NAND Flash with 8 bit ECC for each 512 bytes. NAND Flash memory cells are gradually worn out and the reliability level of memory cells is degraded by repeating Write and Erase operation of '0' data in each block. For detailed reliability data, please refer to the reliability note for each product.

Although random bit errors may occur during use, it does not necessarily mean that a block is bad.

Generally, a block should be marked as bad when a program status failure or erase status failure is detected. The reliability of NAND Flash memory cells during the actual usage on system level depends on the usage and environmental conditions. KIOXIA adopts the checker pattern data, 0x55 & 0xAA for alternative Write/Erase cycles, for the reliability test.

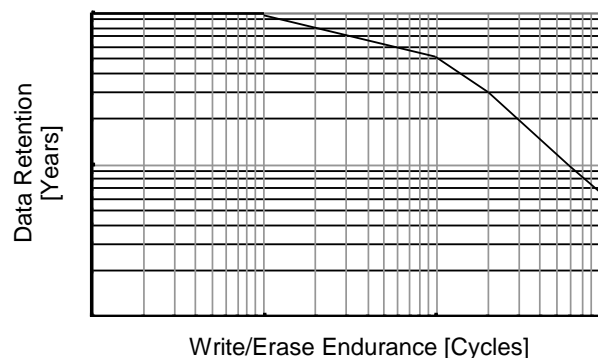
### Write/Erase Endurance

Write/Erase endurance failures may occur in a cell, page, or block, and are detected by doing a Status Read after either an Auto Page Program or Auto Block Erase operation. The cumulative bad block count will increase along with the number of Write/Erase cycles.

### Data Retention

The data in NAND Flash memory may change after a certain amount of storage time. This is due to charge loss or charge gain. After block erasure and reprogramming, the block may become usable again. Data Retention time is generally influenced by the number of Write/Erase cycles and temperature.

Here is a graph plotting the relationship between Write/Erase Endurance and Data Retention.



### Read Disturb

A Read operation may disturb the data in NAND Flash memory. The data may change due to charge gain. Usually, bit errors occur on other pages in the block, not the page being read. After a large number of read cycles (between block erases), a tiny charge may build up and can cause a cell to be soft programmed to another state. After block erasure and reprogramming, the block may become usable again. Read Disturb capability is generally influenced by the number of Write/Erase cycles.

**6.10 NAND Management**

NAND Management such as Bad Block Management, ECC treatment and Wear Leveling, but not limited to these treatments, should be recognized and incorporated in the system design.

ECC treatment for read data is mandatory against random bit errors, and host should monitor ECC status to take appropriate measures such as rewrite in consideration of Wear Leveling before uncorrectable Error occurs. To realize robust system design, generally it is necessary to prevent the concentration of Write/Erase cycles at the specific blocks by adopting Wear Leveling which manages to distribute Write/Erase cycles evenly among NAND Flash memory. And also it is necessary to avoid dummy '0' data write, e.g. '0' data padding, which accelerate block endurance degradation.

Continuous Write and Erase cycling with high percentage of '0' bits in data pattern can lead to faster block endurance degradation.

Example: NAND cell array with '0' data padding

1 : "1" data cell    0 : "0" data cell

0	1	0	0	1	0	0	0	0	0	0	0
0	1	0	1	1	0	0	0	0	0	0	0
1	0	1	0	0	0	0	0	0	0	0	0
1	1	0	0	1	0	0	0	0	0	0	0
0	0	1	1	0	0	0	0	0	0	0	0
1	0	1	0	1	0	0	0	0	0	0	0
0	1	0	1	0	0	0	0	0	0	0	0
1	0	1	0	1	0	0	0	0	0	0	0

User data area
Remaining area

(a) Accelerate block endurance degradation by fixed dummy "0" data write

0	1	0	0	1	1	1	1	1	1	1	1
0	1	0	1	1	1	1	1	1	1	1	1
1	0	1	0	0	1	1	1	1	1	1	1
1	1	0	0	1	1	1	1	1	1	1	1
0	0	1	1	0	1	1	1	1	1	1	1
1	0	1	0	1	1	1	1	1	1	1	1
0	1	0	1	0	1	1	1	1	1	1	1
1	0	1	0	1	1	1	1	1	1	1	1

User data area
Remaining area

(b) "1" data for Remaining area (Recommended)

**7. Revision History**

Date	Rev.	Description
2019-01-15	0.90	Preliminary version
2019-02-12	0.91	Corrected typo and described some notes. Modified Note in 2.6. Valid Blocks and the values of parameter page.
2019-05-31	1.00	Deleted TENTATIVE/TBD and described some notes.
2019-07-04	1.01	Corrected typo.
2019-10-01	2.00	Rebrand as "KIOXIA"



## RESTRICTIONS ON PRODUCT USE

KIOXIA Corporation and its subsidiaries and affiliates are collectively referred to as "KIOXIA". Hardware, software and systems described in this document are collectively referred to as "Product".

- KIOXIA reserves the right to make changes to the information in this document and related Product without notice.
- This document and any information herein may not be reproduced without prior written permission from KIOXIA. Even with KIOXIA's written permission, reproduction is permissible only if reproduction is without alteration/omission.
- Though KIOXIA works continually to improve Product's quality and reliability, Product can malfunction or fail. Customers are responsible for complying with safety standards and for providing adequate designs and safeguards for their hardware, software and systems which minimize risk and avoid situations in which a malfunction or failure of Product could cause loss of human life, bodily injury or damage to property, including data loss or corruption. Before customers use the Product, create designs including the Product, or incorporate the Product into their own applications, customers must also refer to and comply with (a) the latest versions of all relevant KIOXIA information, including without limitation, this document, the specifications, the data sheets and application notes for Product and the precautions and conditions set forth in the "Reliability Information" in KIOXIA Corporation's website and (b) the instructions for the application with which the Product will be used with or for. Customers are solely responsible for all aspects of their own product design or applications, including but not limited to (a) determining the appropriateness of the use of this Product in such design or applications; (b) evaluating and determining the applicability of any information contained in this document, or in charts, diagrams, programs, algorithms, sample application circuits, or any other referenced documents; and (c) validating all operating parameters for such designs and applications. **KIOXIA ASSUMES NO LIABILITY FOR CUSTOMERS' PRODUCT DESIGN OR APPLICATIONS.**
- **PRODUCT IS NEITHER INTENDED NOR WARRANTED FOR USE IN EQUIPMENTS OR SYSTEMS THAT REQUIRE EXTRAORDINARILY HIGH LEVELS OF QUALITY AND/OR RELIABILITY, AND/OR A MALFUNCTION OR FAILURE OF WHICH MAY CAUSE LOSS OF HUMAN LIFE, BODILY INJURY, SERIOUS PROPERTY DAMAGE AND/OR SERIOUS PUBLIC IMPACT ("UNINTENDED USE").** Except for specific applications as expressly stated in this document, Unintended Use includes, without limitation, equipment used in nuclear facilities, equipment used in the aerospace industry, lifesaving and/or life supporting medical equipment, equipment used for automobiles, trains, ships and other transportation, traffic signaling equipment, equipment used to control combustions or explosions, safety devices, elevators and escalators, and devices related to power plant. **IF YOU USE PRODUCT FOR UNINTENDED USE, KIOXIA ASSUMES NO LIABILITY FOR PRODUCT.** For details, please contact your KIOXIA sales representative or contact us via our website.
- Do not disassemble, analyze, reverse-engineer, alter, modify, translate or copy Product, whether in whole or in part.
- Product shall not be used for or incorporated into any products or systems whose manufacture, use, or sale is prohibited under any applicable laws or regulations.
- The information contained herein is presented only as guidance for Product use. No responsibility is assumed by KIOXIA for any infringement of patents or any other intellectual property rights of third parties that may result from the use of Product. No license to any intellectual property right is granted by this document, whether express or implied, by estoppel or otherwise.
- **ABSENT A WRITTEN SIGNED AGREEMENT, EXCEPT AS PROVIDED IN THE RELEVANT TERMS AND CONDITIONS OF SALE FOR PRODUCT, AND TO THE MAXIMUM EXTENT ALLOWABLE BY LAW, KIOXIA (1) ASSUMES NO LIABILITY WHATSOEVER, INCLUDING WITHOUT LIMITATION, INDIRECT, CONSEQUENTIAL, SPECIAL, OR INCIDENTAL DAMAGES OR LOSS, INCLUDING WITHOUT LIMITATION, LOSS OF PROFITS, LOSS OF OPPORTUNITIES, BUSINESS INTERRUPTION AND LOSS OF DATA, AND (2) DISCLAIMS ANY AND ALL EXPRESS OR IMPLIED WARRANTIES AND CONDITIONS RELATED TO SALE, USE OF PRODUCT, OR INFORMATION, INCLUDING WARRANTIES OR CONDITIONS OF MERCHANTABILITY, FITNESS FOR A PARTICULAR PURPOSE, ACCURACY OF INFORMATION, OR NONINFRINGEMENT.**
- Do not use or otherwise make available Product or related software or technology for any military purposes, including without limitation, for the design, development, use, stockpiling or manufacturing of nuclear, chemical, or biological weapons or missile technology products (mass destruction weapons). Product and related software and technology may be controlled under the applicable export laws and regulations including, without limitation, the Japanese Foreign Exchange and Foreign Trade Law and the U.S. Export Administration Regulations. Export and re-export of Product or related software or technology are strictly prohibited except in compliance with all applicable export laws and regulations.
- Please contact your KIOXIA sales representative for details as to environmental matters such as the RoHS compatibility of Product. Please use Product in compliance with all applicable laws and regulations that regulate the inclusion or use of controlled substances, including without limitation, the EU RoHS Directive. **KIOXIA ASSUMES NO LIABILITY FOR DAMAGES OR LOSSES OCCURRING AS A RESULT OF NONCOMPLIANCE WITH APPLICABLE LAWS AND REGULATIONS.**